

TABLE OF CONTENTS

Actuating Levers	2
Brake Cylinders	4
Brake Cylinder Rebuild Kits	4
Torflex 90° Hose Kit	5
Brake Caliper Repair Kit	5
Brake Shoe & Lining Kits	5
Forward Self Adjust Retrofit Kit	10
Brake Shoe Hardware Kits	11
Brake Block Kits	11
Disc Brake Pad Kit	12
Magnet Kits	12
Electric Brake Parts Kit	13
Grease Fittings	14
Conduit Connector Kit	14
Camshaft Repair Kits	14
Brake Spring Kits	15
Adjusting Screws & Springs	16
Brake Adjuster Kit	17
Hub Covers	18
Grease Caps	19
E-Z Lube Grease Cap & Plug Kits	19
E-Z Lube Plugs	19
Bearing Cups & Cones	20
Oil Cap, O-Ring and Plug Kits	20
Seals	21
Rim Clamps	21
Shock Kit	22
Rotor Mounting Studs & Nuts Kit	22
Wheel Mounting Studs	22
Press-In Wheel Studs	22
Drum Mounting Screws	23
Wheel Bolts	23
Inner Wheel Nuts	23
Outer Wheel Nuts	24
Wheel Nuts	24
Nut Covers	24
Spindle Nuts & Washers Kits	25
Nuts, Washers & Cotter Keys Kits	25
U-Bolts & Nuts Kits	26
Over/Under Conversion Kits	26
Shackle Links	26
Shackle Bolt & Flange Nut Kit	26
Rubber Spring Eye Bushings	27
Rubber Equalizer Bushings	27
Heavy Duty Suspension Kits	27
Suspension Kits	28
Slipper Spring Kits	29
Bronze Bushings	29

INDEX

Actuating Levers	2
Adjusting Screws & Springs	16
Bearing Cups & Cones	20
Brake Adjuster Kit	17
Brake Block Kits	11
Brake Caliper Repair Kit	5
Brake Cylinder Rebuild Kits	4
Brake Cylinders	4
Brake Shoe & Lining Kits	5
Brake Shoe Hardware Kits	11
Brake Spring Kits	15
Bronze Bushings	29
Camshaft Repair Kits	14
Conduit Connector Kit	14
Disc Brake Pad Kit	12
Drum Mounting Screws	23
E-Z Lube Grease Cap & Plug Kits	19
E-Z Lube Plugs	19
Electric Brake Parts Kit	13
Forward Self Adjust Retrofit Kit	10
Grease Caps	19
Grease Fittings	14
Heavy Duty Suspension Kits	27
Hub Covers	18
Inner Wheel Nuts	23
Magnet Kits	12
Nut Covers	24
Nuts, Washers & Cotter Keys Kits	25
Oil Cap, O-Ring and Plug Kits	20
Outer Wheel Nuts	24
Over/Under Conversion Kits	26
Press-In Wheel Studs	22
Rim Clamps	21
Rotor Mounting Studs & Nuts Kit	22
Rubber Equalizer Bushings	27
Rubber Spring Eye Bushings	27
Seals	21
Shackle Bolt & Flange Nut Kit	26
Shackle Links	26
Shock Kit	22
Slipper Spring Kits	29
Spindle Nuts & Washers Kits	25
Suspension Kits	28
Torflex 90° Hose Kit	5
U-Bolts & Nuts Kits	26
Wheel Bolts	23
Wheel Mounting Studs	22
Wheel Nuts	24



Actuating Lever - LH K71-325-00
Fits Dexter 7" brake. Used with magnet kit K71-057-00.

DX Part No.	Quantity	Part Description
046-030-00	2	Anchor Post Clip
047-114-04	1	LH Lever Arm

Actuating Lever - RH K71-326-00
Fits Dexter 7" brake. Used with magnet kit K71-057-00.

DX Part No.	Quantity	Part Description
046-030-00	2	Anchor Post Clip
047-115-04	1	RH Lever Arm

Actuating Lever - LH K71-327-00
Fits Dexter 10 x 1½" brake. Used with magnet kit K71-177-00, #8-284 & #8-283 H-D.

DX Part No.	Quantity	Part Description
047-112-04	1	LH Actuating Lever Arm

Actuating Lever - RH K71-328-00
Fits Dexter 10 x 1½" brake. Used with magnet kit K71-177-00, #8-284 & #8-283 H-D.

DX Part No.	Quantity	Part Description
047-113-04	1	RH Actuating Lever Arm



Actuating Lever - LH K71-331-00
Fits Dexter 10 x 2¼" brake. Used with magnet kit K71-104-00.

DX Part No.	Quantity	Part Description
047-019-05	1	LH Actuating Lever Arm

Actuating Lever - RH K71-332-00
Fits Dexter 10 x 2¼" brake. Used with magnet kit K71-104-00.

DX Part No.	Quantity	Part Description
047-020-05	1	RH Actuating Lever Arm

Actuating Lever - LH K71-333-00
Fits Dexter 12 x 2" brake. Used with magnet kit K71-105-00.

DX Part No.	Quantity	Part Description
047-107-05	1	LH Actuating Lever Arm

Actuating Lever - RH K71-334-00
Fits Dexter 12 x 2" brake. Used with magnet kit K71-105-00.

DX Part No.	Quantity	Part Description
047-108-05	1	RH Actuating Lever Arm

Actuating Lever - LH K71-413-00
Fits Dexter 12¼ x 2½" electric brake (7.2K). Used with magnet kit K71-441-00.

DX Part No.	Quantity	Part Description
047-124-05	1	LH Actuating Lever Arm

Actuating Lever - RH

K71-414-00

Fits Dexter 12¼ x 2½" electric brake (7.2K). Used with magnet kit K71-441-00.

DX Part No.	Quantity	Part Description
047-125-05	1	RH Actuating Lever Arm



Actuating Lever - LH

K71-380-00

Fits Dexter 12¼ x 3⅜" and 12¼ x 4" brakes (8K-10K). Used with magnet kit K71-375-00 (8K) or K71-376-00 (9K or 10K). For rear self adjust and manual brakes.

DX Part No.	Quantity	Part Description
006-062-00	1	Nut, Flanged Locking
006-092-01	1	Nut, Flanged Locking
027-039-00	3	Wire Clip
047-123-18	1	Lever Arm Assembly

Actuating Lever - RH

K71-381-00

Fits Dexter 12¼ x 3⅜" and 12¼ x 4" brakes (8K-10K). Used with magnet kit K71-375-00 (8K) or K71-376-00 (9K or 10K). For rear self adjust and manual brakes.

DX Part No.	Quantity	Part Description
006-062-00	1	Nut, Flanged Locking
006-092-01	1	Nut, Flanged Locking
027-039-00	3	Wire Clip
047-123-17	1	Lever Arm Assembly

Actuating Lever - LH

K71-382-00

Fits Dexter 12¼ x 5" brakes (12K-15K). Used with magnet kit K71-377-00 (12K) or K71-378-00(15K).

DX Part No.	Quantity	Part Description
006-062-00	1	Nut, Flanged Locking
006-092-01	1	Nut, Flanged Locking
027-039-00	3	Wire Clip
047-123-16	1	Lever Arm Assembly

Actuating Lever - RH

K71-383-00

Fits Dexter 12¼ x 5" brakes (12K-15K). Used with magnet kit K71-377-00 (12K) or K71-378-00 (15K).

DX Part No.	Quantity	Part Description
006-062-00	1	Nut, Flanged Locking
006-092-01	1	Nut, Flanged Locking
027-039-00	3	Wire Clip
047-123-15	1	Lever Arm Assembly

Actuating Lever - LH

K71-467-00

Fits Dexter 12¼ x 3⅜" and 12¼ x 4" forward self-adjusting electric brakes (8K-10K). Used with magnet kit K71-375-00 (8K) or K71-376-00 (9K or 10K).

DX Part No.	Quantity	Part Description
006-062-00	1	Nut, Flanged Locking
006-092-01	1	Nut, Flanged Locking
027-039-00	3	Wire Clip
047-123-38	1	Lever Arm Assembly

Actuating Lever - RH

K71-468-00

Fits Dexter 12¼ x 3⅜" and 12¼ x 4" forward self-adjusting electric brakes (8K-10K). Used with magnet kit K71-375-00 (8K) or K71-376-00 (9K or 10K).

DX Part No.	Quantity	Part Description
006-062-00	1	Nut, Flanged Locking
006-092-01	1	Nut, Flanged Locking
027-039-00	3	Wire Clip
047-123-37	1	Lever Arm Assembly

Actuating Lever - LH

K71-469-00

Fits Dexter 12¼ x 5" forward self-adjusting electric brakes (12K-15K). Used with magnet kit K71-377-00 (12K) or K71-378-00(15K).

DX Part No.	Quantity	Part Description
006-062-00	1	Nut, Flanged Locking
006-092-01	1	Nut, Flanged Locking
027-039-00	3	Wire Clip
047-123-36	1	Lever Arm Assembly

Actuating Lever - RH

K71-470-00

Fits Dexter 12¼ x 5" forward self-adjusting electric brakes (12K-15K). Used with magnet kit K71-377-00 (12K) or K71-378-00(15K).

DX Part No.	Quantity	Part Description
006-062-00	1	Nut, Flanged Locking
006-092-01	1	Nut, Flanged Locking
027-039-00	3	Wire Clip
047-123-35	1	Lever Arm Assembly



Brake Cylinder - LH K71-337-00

Fits Dexter 10 x 2¼" and 12 x 2" brakes. Uni-servo, 1⅛" dia.

DX Part No.	Quantity	Part Description
054-064-00	1	Brake Cylinder

Brake Cylinder - RH K71-338-00

Fits Dexter 10 x 2¼" and 12 x 2" brakes. Uni-servo, 1⅛" dia.

DX Part No.	Quantity	Part Description
054-065-00	1	Brake Cylinder

Brake Cylinder - LH K71-424-00

Fits Dexter 10 x 2¼" and 12 x 2" free backing, corrosion resistant, hydraulic brakes. Uni-servo, 1⅛" dia.

DX Part No.	Quantity	Part Description
054-064-01	1	Brake Cylinder

Brake Cylinder - RH K71-425-00

Fits Dexter 10 x 2¼" and 12 x 2" free backing, corrosion resistant, hydraulic brakes. Uni-servo, 1⅛" dia.

DX Part No.	Quantity	Part Description
054-065-01	1	Brake Cylinder

Brake Cylinder - LH K71-339-00

Fits Dexter 10 x 2¼" and 12 x 2" brakes. Duo-servo, 1⅛" dia.

DX Part No.	Quantity	Part Description
054-062-00	1	Brake Cylinder

Brake Cylinder - RH K71-340-00

Fits Dexter 10 x 2¼" and 12 x 2" brakes. Duo-servo, 1⅛" dia.

DX Part No.	Quantity	Part Description
054-063-00	1	Brake Cylinder



Brake Cylinder Rebuild Kit K71-080-00

Fits Dexter 12¼ x 3⅜" brake with 1" dia. cylinder (8K).

DX Part No.	Quantity	Part Description
046-130-00	1	Spring
054-032-00	2	Boot
054-035-00	1	Bleeder Screw
054-041-00	2	Piston
054-085-00	2	Cup

Brake Cylinder Rebuild Kit K71-081-00

Fits Dexter 12¼ x 3⅜", 12¼ x 4" and 12¼ x 5" brakes with 1¼" dia. cylinder (9K-12K).

DX Part No.	Quantity	Part Description
046-128-00	1	Spring
054-032-00	2	Boot
054-035-00	1	Bleeder Screw
054-038-00	2	Piston
054-086-00	2	Cup

Brake Cylinder Rebuild Kit K71-082-00

Fits Dexter 12¼ x 5" brake with 1⅜" dia. cylinder (15K).

DX Part No.	Quantity	Part Description
046-129-00	1	Spring
054-030-00	2	Piston
054-032-00	2	Boot
054-035-00	1	Bleeder Screw
054-087-00	2	Cup

Torflex 90° Hose Kit

K71-461-00

Designed for tight clearance applications. Fits all torflex axles.

DX Part No.	Quantity	Part Description
007-222-00	2	Thread Forming Screw
027-051-00	2	Loop Clamp
034-257-00	2	Brake Hose Assembly 90°
034-258-00	2	Frame/Hose Bracket
034-259-00	2	Hose Clip
059-575-00	1	Instruction Sheet



Brake Caliper Repair Kit

K71-181-00

Fits Dexter 10K and 12K disc brake axles (after 1/88).

DX Part No.	Quantity	Part Description
010-062-00	4	O-Ring
054-067-00	2	Seal for 2.50 diameter piston
054-068-00	2	Boot for 2.50 diameter piston
054-069-00	1	Bleeder Screw

Brake Shoe & Lining Kit

K71-045-00

Fits Dexter 7 x 1¼" electric brake.

DX Part No.	Quantity	Part Description
040-125-00	1	Primary Shoe & Lining
040-049-00	1	Secondary Shoe & Lining
059-043-00	1	Instruction Sheet

Brake Shoe & Lining Kit

K71-466-00

Fits Dexter 7 x 1¾" hydraulic brake.

DX Part No.	Quantity	Part Description
035-001-00	4	Shoe Hold Down Spring Cup
040-327-01	1	Primary Shoe & Lining
040-328-01	1	Secondary Shoe & Lining
046-006-00	2	Shoe Hold Down Spring
049-014-00	2	Hold Down Pin "A"
059-581-00	1	Instruction Sheet

Brake Shoe & Lining Kit

K71-046-00

Fits Dexter 10 x 1½" electric brake.

DX Part No.	Quantity	Part Description
040-129-00	1	Primary Shoe & Lining
040-130-00	1	Secondary Shoe & Lining
046-077-00	2	Shoe Hold Down Spring
049-009-00	2	Hold Down Pin *T*
059-044-00	1	Instruction Sheet

Brake Shoe & Lining Kit K71-047-00

Fits Dexter 10 x 2¼" electric brake.

DX Part No.	Quantity	Part Description
040-017-00	1	Primary Shoe & Lining
040-021-00	1	Secondary Shoe & Lining
046-077-00	2	Shoe Hold Down Spring
049-002-00	2	Hold Down Pin *8*
059-045-00	1	Instruction Sheet

Brake Shoe & Lining Kit K71-267-00

Fits Dexter 10 x 2¼" hydraulic brake.

DX Part No.	Quantity	Part Description
040-210-00	1	Primary Shoe & Lining
040-211-00	1	Secondary Shoe & Lining
046-077-00	2	Shoe Hold Down Spring
049-002-00	2	Hold Down Pin *8*
059-260-00	1	Instruction Sheet

Brake Shoe & Lining Kit K71-393-00

Fits Dexter 10 x 2¼" free backing hydraulic brake.

DX Part No.	Quantity	Part Description
040-291-00	1	Primary Shoe & Lining
040-211-00	1	Secondary Shoe & Lining
046-077-00	2	Shoe Hold Down Spring
049-002-00	2	Hold Down Pin *8*

Brake Shoe & Lining Kit K71-423-00

Fits Dexter 10 x 2¼" free backing, corrosion resistant, hydraulic brake.

DX Part No.	Quantity	Part Description
040-291-03	1	Primary Shoe & Lining
040-292-03	1	Secondary Shoe & Lining
046-077-01	2	Shoe Hold Down Spring & Cup
049-002-00	2	Hold Down Pin *8*

Brake Shoe & Lining Kit K71-048-00

Fits Dexter 12 x 2" brake (DXQ).

DX Part No.	Quantity	Part Description
040-044-00	1	Primary Shoe & Lining
040-045-00	1	Secondary Shoe & Lining
046-077-00	2	Shoe Hold Down Spring
049-011-00	2	Hold Down Pin *2*
059-045-00	1	Instruction Sheet

Brake Shoe & Lining Kit K71-268-00

Fits Dexter 12 x 2" hydraulic brake. (5.2K)

DX Part No.	Quantity	Part Description
040-204-00	1	Primary Shoe & Lining
040-206-00	1	Secondary Shoe & Lining
046-077-00	2	Shoe Hold Down Spring
049-012-00	2	Hold Down Pin *4*
059-260-00	1	Instruction Sheet

Brake Shoe & Lining Kit - LH K71-394-00

Fits Dexter 12 x 2" free backing hydraulic brake.

DX Part No.	Quantity	Part Description
035-001-00	2	Shoe Hold Down Cup, Primary
040-243-08	1	Primary Shoe & Lining
040-315-02	1	Secondary Shoe & Lining Assembly
046-077-00	1	Secondary Shoe Hold Down Spring
046-006-00	1	Shoe Hold Down Spring, Primary
049-013-00	1	Hold Down Pin *1*, Primary
049-002-00	1	Hold Down Pin *8*, Secondary

Brake Shoe & Lining Kit - RH K71-395-00

Fits Dexter 12 x 2" free backing hydraulic brake.

DX Part No.	Quantity	Part Description
035-001-00	2	Shoe Hold Down Cup, Primary
040-243-09	1	Primary Shoe & Lining
040-315-01	1	Secondary Shoe & Lining Assembly
046-077-00	1	Secondary Shoe Hold Down Spring
046-006-00	1	Shoe Hold Down Spring, Primary
049-013-00	1	Hold Down Pin *1*, Primary
049-002-00	1	Hold Down Pin *8*, Secondary

Brake Shoe & Lining Kit - LH K71-269-00

Fits Dexter 12 x 2" hydraulic brake (7K).

DX Part No.	Quantity	Part Description
040-219-00	1	Primary Shoe & Lining
040-218-02	1	Secondary Shoe & Lining
046-077-00	2	Shoe Hold Down Spring
049-012-00	2	Hold Down Pin *4*
059-260-00	1	Instruction Sheet

Brake Shoe & Lining Kit - RH K71-270-00

Fits Dexter 12 x 2" hydraulic brake (7K).

DX Part No.	Quantity	Part Description
040-219-00	1	Primary Shoe & Lining
040-218-01	1	Secondary Shoe & Lining
046-077-00	2	Shoe Hold Down Spring
049-012-00	2	Hold Down Pin *4*
059-260-00	1	Instruction Sheet

Brake Shoe & Lining Kit K71-127-00

Fits Dexter 12 x 2" electric brake (6K CSA & 7K)

DX Part No.	Quantity	Part Description
040-215-00	1	Primary Shoe & Lining
040-216-00	1	Secondary Shoe & Lining
046-077-00	2	Shoe Hold Down Spring
049-011-00	2	Hold Down Pin *2*
059-045-00	1	Instruction Sheet

Brake Shoe & Lining Kit - LH K71-427-00

Fits Dexter 12 x 2" free backing, corrosion resistant, hydraulic brake.

DX Part No.	Quantity	Part Description
035-001-00	2	Hold Down Cup, Primary
040-243-06	1	Primary Shoe & Lining Assembly
040-315-06	1	Secondary Shoe & Lining Assembly
046-077-01	1	Shoe Hold Down Spring and Cup
046-006-01	1	Hold Down Spring, Primary
049-002-00	1	Hold Down Pin *8*, Secondary
049-013-00	1	Hold Down Pin *1*, Primary

Brake Shoe & Lining Kit - RH K71-428-00

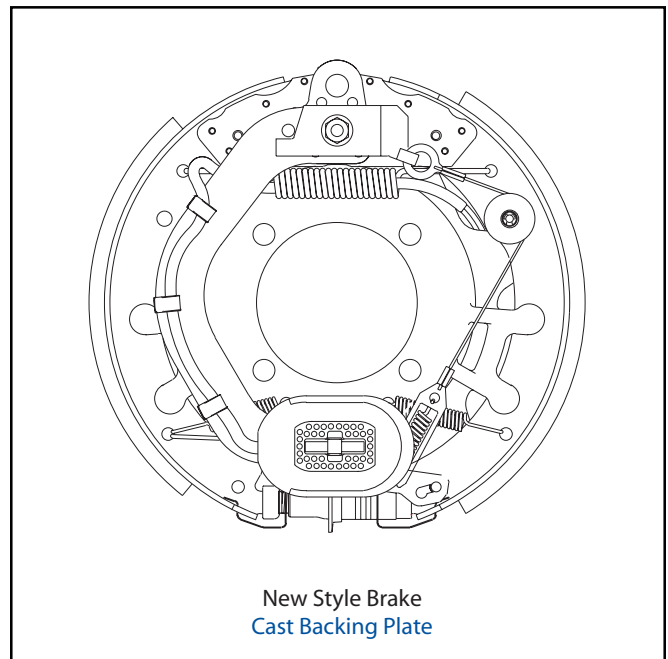
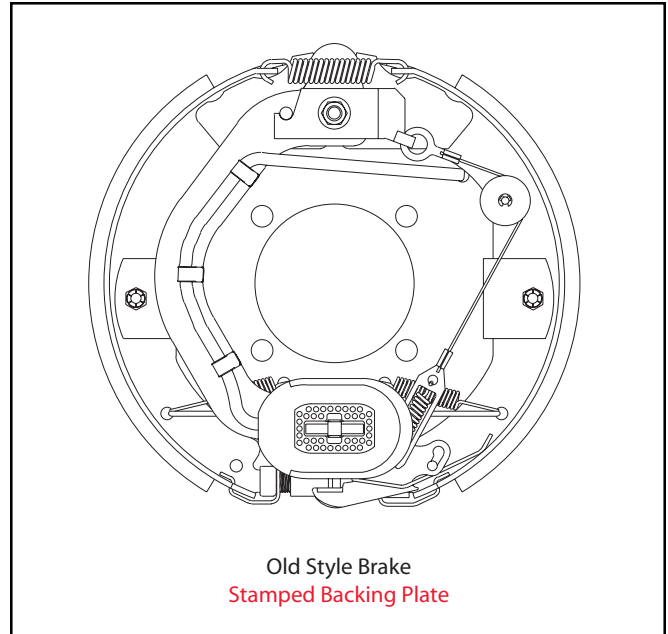
Fits Dexter 12 x 2" free backing, corrosion resistant, hydraulic brake.

DX Part No.	Quantity	Part Description
035-001-00	2	Hold Down Cup, Primary
040-243-07	1	Primary Shoe & Lining Assembly
040-315-05	1	Secondary Shoe & Lining Assembly
046-077-01	1	Shoe Hold Down Spring and Cup
046-006-01	1	Hold Down Spring, Primary
049-002-00	1	Hold Down Pin *8*, Secondary
049-013-00	1	Hold Down Pin *1*, Primary

12¼" Electric Brakes

Please note there are two styles of brakes with different shoe and lining kits. In April 2000, Dexter began manufacturing brakes with **Cast Backing Plates** rather than the old style **Stamped Backing Plates**.

Make sure which style brake you have to ensure proper shoe and lining kit.



Brake Shoe & Lining Kit K71-410-00
Stamped Backing Plate (prior to April 2000)

Fits Dexter 12¼ x 2½" electric brake (7.2K). Services one brake, left or right.

DX Part No.	Quantity	Part Description
005-107-00	2	Washer Shoe Hold Down
006-127-00	2	Locknut
040-309-01	1	Primary Shoe & Lining LH or Secondary Shoe & Lining RH
040-310-01	1	Primary Shoe & Lining RH or Secondary Shoe & Lining LH

Brake Shoe & Lining Kit - LH K71-497-00
Cast Backing Plate (approx date of April 2000)

Fits Dexter 12¼ x 2½" electric brake (7.2K).

DX Part No.	Quantity	Part Description
040-348-01	1	Primary Shoe & Lining
040-349-02	1	Secondary Shoe & Lining
059-653-00	1	Instruction Sheet

Brake Shoe & Lining Kit - RH K71-496-00
Cast Backing Plate (approx date of April 2000)

Fits Dexter 12¼ x 2½" electric brake (7.2K).

DX Part No.	Quantity	Part Description
040-349-01	1	Primary Shoe & Lining
040-348-02	1	Secondary Shoe & Lining
059-653-00	1	Instruction Sheet



Brake Shoe & Lining Kit - LH K71-049-00
Stamped Backing Plate (prior to April 2000)

Fits Dexter 12¼ x 3⅜" electric brake (8K, 9K, 10KGD).

DX Part No.	Quantity	Part Description
005-107-00	2	Shoe Hold Down Washer
006-127-00	2	Locknut
040-110-01	1	Primary Shoe & Lining
040-111-02	1	Secondary Shoe & Lining
059-046-00	1	Instruction Sheet

Brake Shoe & Lining Kit - LH K71-499-00
Cast Backing Plate (approx date of April 2000)

Fits Dexter 12¼ x 3⅜" electric brake (8K, 9K, 10KGD).

DX Part No.	Quantity	Part Description
040-350-01	1	Primary Shoe & Lining
040-351-02	1	Secondary Shoe & Lining
059-653-00	1	Instruction Sheet

Brake Shoe & Lining Kit - RH K71-050-00
Stamped Backing Plate (prior to April 2000)

Fits Dexter 12¼ x 3⅜" electric brake (8K, 9K, 10KGD).

DX Part No.	Quantity	Part Description
005-107-00	2	Shoe Hold Down Washer
006-127-00	2	Locknut
040-111-01	1	Primary Shoe & Lining
040-110-02	1	Secondary Shoe & Lining
059-046-00	1	Instruction Sheet

Brake Shoe & Lining Kit - RH K71-498-00
Cast Backing Plate (approx date of April 2000)

Fits Dexter 12¼ x 3⅜" electric brake (8K, 9K, 10KGD).

DX Part No.	Quantity	Part Description
040-351-01	1	Primary Shoe & Lining
040-350-02	1	Secondary Shoe & Lining
059-653-00	1	Instruction Sheet

Brake Shoe & Lining Kit - LH K71-165-00

Fits Dexter 12¼ x 3⅜" hydraulic brake (8K, 9K, 10KGD).

DX Part No.	Quantity	Part Description
005-107-00	2	Shoe Hold Down Washer
006-086-00	2	Locknut
040-199-01	1	Primary Shoe & Lining
040-199-02	1	Secondary Shoe & Lining
059-101-00	1	Instruction Sheet

Brake Shoe & Lining Kit - RH K71-166-00

Fits Dexter 12¼ x 3⅜" hydraulic brake (8K, 9K, 10KGD).

DX Part No.	Quantity	Part Description
005-107-00	2	Shoe Hold Down Washer
006-086-00	2	Locknut
040-200-01	1	Primary Shoe & Lining
040-200-02	1	Secondary Shoe & Lining
059-101-00	1	Instruction Sheet

Tag Brake Shoe & Lining Kit - LH K71-444-00
 Fits Dexter 12¼ x 3⅜" hydraulic brake.

DX Part No.	Quantity	Part Description
005-107-00	2	Shoe Hold Down Washer
006-086-00	2	Locknut
040-317-01	1	Primary Shoe & Lining
040-317-02	1	Secondary Shoe & Lining
059-101-00	1	Instruction Sheet

Tag Brake Shoe & Lining Kit - RH K71-445-00
 Fits Dexter 12¼ x 3⅜" hydraulic brake.

DX Part No.	Quantity	Part Description
005-107-00	2	Shoe Hold Down Washer
006-086-00	2	Locknut
040-316-01	1	Primary Shoe & Lining
040-316-02	1	Secondary Shoe & Lining
059-101-00	1	Instruction Sheet

Brake Shoe & Lining Kit - LH K71-437-00
 Fits Dexter 12¼ x 3⅜" corrosion resistant, hydraulic brake (8K, 9K, 10K GD).

DX Part No.	Quantity	Part Description
005-107-02	2	Shoe Hold Down Washer
006-086-00	2	Locknut
040-199-05	1	Primary Shoe & Lining
040-199-06	1	Secondary Shoe & Lining
059-101-00	1	Instruction Sheet

Brake Shoe & Lining Kit - RH K71-438-00
 Fits Dexter 12¼ x 3⅜" corrosion resistant, hydraulic brake (8K, 9K, 10K GD).

DX Part No.	Quantity	Part Description
005-107-02	2	Shoe Hold Down Washer
006-086-00	2	Locknut
040-200-05	1	Primary Shoe & Lining
040-200-06	1	Secondary Shoe & Lining
059-101-00	1	Instruction Sheet

Brake Shoe & Lining Kit - LH K71-051-00
Stamped Backing Plate (prior to April 2000)
 Fits Dexter 12¼ x 4" electric brake (10K HD).

DX Part No.	Quantity	Part Description
005-107-00	2	Shoe Hold Down Washer
006-127-00	2	Locknut
040-108-01	1	Primary Shoe & Lining
040-109-02	1	Secondary Shoe & Lining
059-046-00	1	Instruction Sheet

Brake Shoe & Lining Kit - LH K71-501-00
Cast Backing Plate (approx date of April 2000)
 Fits Dexter 12¼ x 4" electric brake (10K HD).

DX Part No.	Quantity	Part Description
040-352-01	1	Primary Shoe & Lining
040-353-02	1	Secondary Shoe & Lining
059-653-00	1	Instruction Sheet

Brake Shoe & Lining Kit - RH K71-052-00
Stamped Backing Plate (prior to April 2000)
 Fits Dexter 12¼ x 4" electric brake (10K HD).

DX Part No.	Quantity	Part Description
005-107-00	2	Shoe Hold Down Washer
006-127-00	2	Locknut
040-109-01	1	Primary Shoe & Lining
040-108-02	1	Secondary Shoe & Lining
059-046-00	1	Instruction Sheet

Brake Shoe & Lining Kit - RH K71-500-00
Cast Backing Plate (approx date of April 2000)
 Fits Dexter 12¼ x 4" electric brake (10K HD).

DX Part No.	Quantity	Part Description
040-353-01	1	Primary Shoe & Lining
040-352-02	1	Secondary Shoe & Lining
059-653-00	1	Instruction Sheet

Brake Shoe & Lining Kit - LH K71-167-00
 Fits Dexter 12¼ x 4" hydraulic brake (10K HD.).

DX Part No.	Quantity	Part Description
005-107-00	2	Shoe Hold Down Washer
006-086-00	2	Locknut
040-197-01	1	Primary Shoe & Lining
040-197-02	1	Secondary Shoe & Lining
059-101-00	1	Instruction Sheet

Brake Shoe & Lining Kit - RH K71-168-00
 Fits Dexter 12¼ x 4" hydraulic brake (10K HD.).

DX Part No.	Quantity	Part Description
005-107-00	2	Shoe Hold Down Washer
006-086-00	2	Locknut
040-198-01	1	Primary Shoe & Lining
040-198-02	1	Secondary Shoe & Lining
059-101-00	1	Instruction Sheet



Brake Shoe & Lining Kit - LH K71-053-00
Stamped Backing Plate (prior to April 2000)

Fits Dexter 12¼ x 5" electric brake (12K-15K).

DX Part No.	Quantity	Part Description
005-107-00	2	Shoe Hold Down Washer
006-127-00	2	Locknut
040-102-01	1	Primary Shoe & Lining
040-103-02	1	Secondary Shoe & Lining
059-046-00	1	Instruction Sheet

Brake Shoe & Lining Kit - LH K71-503-00
Cast Backing Plate (approx date of April 2000)

Fits Dexter 12¼ x 5" electric brake (12K-15K).

DX Part No.	Quantity	Part Description
040-354-01	1	Primary Shoe & Lining
040-355-02	1	Secondary Shoe & Lining
059-653-00	1	Instruction Sheet

Brake Shoe & Lining Kit - RH K71-054-00
Stamped Backing Plate (prior to April 2000)

Fits Dexter 12¼ x 5" electric brake (12K-15K).

DX Part No.	Quantity	Part Description
005-107-00	2	Shoe Hold Down Washer
006-127-00	2	Locknut
040-103-01	1	Primary Shoe & Lining
040-102-02	1	Secondary Shoe & Lining
059-046-00	1	Instruction Sheet

Brake Shoe & Lining Kit - RH K71-502-00
Cast Backing Plate (approx date of April 2000)

Fits Dexter 12¼ x 5" electric brake (12K-15K).

DX Part No.	Quantity	Part Description
040-355-01	1	Primary Shoe & Lining
040-354-02	1	Secondary Shoe & Lining
059-653-00	1	Instruction Sheet

Brake Shoe & Lining Kit - LH K71-169-00

Fits Dexter 12¼ x 5" hydraulic brake (12K-15K).

DX Part No.	Quantity	Part Description
005-107-00	2	Shoe Hold Down Washer
006-086-00	2	Locknut
040-195-01	1	Primary Shoe & Lining
040-195-02	1	Secondary Shoe & Lining
059-101-00	1	Instruction Sheet

Brake Shoe & Lining Kit - RH K71-170-00

Fits Dexter 12¼ x 5" hydraulic brake (12K-15K).

DX Part No.	Quantity	Part Description
005-107-00	2	Shoe Hold Down Washer
006-086-00	2	Locknut
040-196-01	1	Primary Shoe & Lining
040-196-02	1	Secondary Shoe & Lining
059-101-00	1	Instruction Sheet

Forward Self-Adjust Retrofit K71-458-00

For 12¼ x 3¾" and 12¼ x 4" electric brakes. Services two brakes.

DX Part No.	Quantity	Part Description
006-062-00	2	Flange Locknut
027-039-00	6	Wire Clip for Magnet Wires
027-050-00	2	Magnet Retainer
033-084-00	2	Tubular Spacer
047-123-37	1	Actuator Arm Assembly w/Pin
047-123-38	1	Actuator Arm Assembly w/Pin
071-455-01	1	Shoe Hold Down Bracket LH
071-455-02	1	Shoe Hold Down Bracket RH
059-572-00	1	Instruction Sheet

Forward Self-Adjust Retrofit K71-459-00

For 12¼ x 5" electric brakes. Services two brakes. 12K-15K

DX Part No.	Quantity	Part Description
006-062-00	2	Flange Locknut
027-039-00	6	Wire Clip for Magnet Wires
027-050-00	2	Magnet Retainer
033-084-00	2	Tubular Spacer
047-123-35	1	Actuator Arm Assembly w/Pin
047-123-36	1	Actuator Arm Assembly w/Pin
071-455-01	1	Shoe Hold Down Bracket LH
071-455-02	1	Shoe Hold Down Bracket RH
059-572-00	1	Instruction Sheet

Forward Self-Adjust Retrofit K71-465-00

For 12¼" hydraulic brakes. Services two brakes. 8K-15K

DX Part No.	Quantity	Part Description
046-131-01	2	Extension Spring
046-134-00	1	Adjuster Spring RH
046-135-00	1	Adjuster Spring LH
048-019-00	1	Assembly Adjuster Screw LH
048-020-00	1	Assembly Adjuster Screw RH
071-456-00	2	Cable Attachment Bracket
071-462-00	2	Adjuster Cable
071-463-00	1	Self Adjusting Lever RH
071-464-00	1	Self Adjusting Lever LH
059-578-00	1	Instruction Sheet



Brake Shoe Hardware Kit **K71-098-00**

Fits "P" style Dexter 10K-27K, 12¼" air brake axles.
For one brake.

DX Part No.	Quantity	Part Description
005-072-00	4	Anchor Pin Washer (10K)
005-073-00	4	Anchor Pin Washer (12K & 15K)
005-076-00	2	Roller Pin Spacer
007-137-00	1	Anchor Pin Clamping Screw (prior to4/93)
014-057-00	2	Roller
014-104-00	2	Bushing - Spider Anchor Pins
046-092-00	1	Retractor Spring
056-010-00	2	Roller Pin
056-011-00	2	Anchor Pin
056-012-00	2	Retainer Pin, Retractor Spring
069-018-00	2	Roller Pin Retainer
069-019-00	4	Anchor Pin Retainer
059-552-00	1	Instruction Sheet

Brake Shoe Hardware Kit **K71-460-00**

Fits "PQ" style Dexter 10-27K, 12¼" air brake axles.
For one brake.

DX Part No.	Quantity	Part Description
005-076-00	2	Washer
014-057-00	2	Roller
014-068-00	2	Bushing
046-092-00	1	Retractor Spring
046-097-00	2	Shoe Keeper Spring
056-010-00	2	Knurled Roller Pin
056-017-00	2	Anchor Pin
056-018-00	2	Retainer Pin
069-018-00	2	Snap Ring for .750 shaft
059-553-00	1	Instruction Sheet



Brake Shoe Hardware Kit **K71-136-00**

Fits all "Q" quick change Dexter 16½ x 7" air brake axles.
For one brake.

DX Part No.	Quantity	Part Description
014-065-00	2	Roller
014-068-00	2	Spider Bushing
046-096-00	1	Retractor Spring 16½" Brake-orange
046-097-00	2	Keeper Spring
056-017-00	2	Anchor Pin
056-018-00	2	Spring Retainer
071-122-00	2	Roller Retainer
059-554-00	1	Instruction Sheet



Brake Block Kit **K71-102-00**

For one Dexter 12¼ x 4" brake.

DX Part No.	Quantity	Part Description
022-018-00	24	Rivet
041-052-01	2	Brake Block
041-052-02	2	Brake Block
059-191-00	1	Instruction Sheet

Brake Block Kit

K71-152-00

For one Dexter 12¼ x 5" brake.

DX Part No.	Quantity	Part Description
022-018-00	24	Rivet
041-053-01	2	Brake Block
041-053-02	2	Brake Block
059-191-00	1	Instruction Sheet

Brake Block Kit

K71-133-00

For one Dexter 12¼ x 7½" brake.

DX Part No.	Quantity	Part Description
022-018-00	48	Rivet
041-057-01	2	Brake Block
041-060-01	2	Brake Block
059-191-00	1	Instruction Sheet

Brake Block Kit

K71-138-00

For one Dexter 16½ x 7" air brake.

DX Part No.	Quantity	Part Description
022-018-00	48	Rivet
041-058-01	2	Brake Block
041-059-01	2	Brake Block
059-191-00	1	Instruction Sheet



Disc Brake Pad Kit

K71-180-00

For one Dexter 10K or 12K axle.

DX Part No.	Quantity	Part Description
006-125-00	4	Nut
046-105-00	4	Anti-Rattle Spring
071-182-00	1	Installation Tool
091-003-00	4	Brake Pad
010-062-00	20	O-Rings
059-214-00	1	Instruction Sheet



Magnet Kit

K71-057-00

Fits Dexter 7 x 1¼" brake (after 4-1-90) and 10 x 1½" brake (prior to 9-1-88). Brakes prior to 4-1-90 require replacing the lever arms. Use K71-325-00 or K71-326 with magnet kit K71-057-00.

DX Part No.	Quantity	Part Description
042-134-00	1	Magnet Assembly (white wire)
046-086-00	1	Spring
046-121-00	1	Retainer
059-511-00	1	Instruction Sheet

Magnet Kit

K71-177-00

Fits Dexter 10 x 1½" brake (after 9-1-88).

DX Part No.	Quantity	Part Description
027-009-00	1	Retainer
042-123-00	1	Magnet Assembly (yellow wire)
046-080-00	1	Spring
059-511-00	1	Instruction Sheet

Magnet Kit

K71-104-00

Fits Dexter 10 x 2¼" brake.

DX Part No.	Quantity	Part Description
027-009-00	1	Retainer
042-097-01	1	Magnet Assembly (green wire)
046-080-00	1	Spring
059-511-00	1	Instruction Sheet

Magnet Kit

K71-105-00

Fits Dexter 12 x 2" brake.

DX Part No.	Quantity	Part Description
027-009-00	1	Retainer
042-099-01	1	Magnet Assembly (white wire)
046-080-00	1	Spring
059-511-00	1	Instruction Sheet

Magnet Kit K71-125-00

Fits Dexter 12 x 2" brake (7K).

DX Part No.	Quantity	Part Description
027-009-00	1	Retainer
042-101-01	1	Magnet Assembly (black wire)
046-080-00	1	Spring
059-511-00	1	Instruction Sheet

Magnet Kit K71-441-00

Fits Dexter 12¼ x 2½" (7.2K) electric brakes. Used with actuating lever kit K71-413 or K71-414.

DX Part No.	Quantity	Part Description
027-050-00	1	Magnet Retainer
042-136-01	1	Magnet Assembly (red wire)
046-117-00	1	Magnet Spring
059-511-00	1	Instruction Sheet

Magnet Kit K71-442-00

Fits Dexter 12¼ x 2½" (7.2K) electric brakes. 50" lead. Used with actuating lever kit K71-413 or K71-414.

DX Part No.	Quantity	Part Description
027-050-00	1	Magnet Retainer
042-136-01	1	Magnet Assembly (red wire)
046-117-00	1	Magnet Spring
059-511-00	1	Instruction Sheet

Magnet Kit K71-375-00

Fits Dexter 12¼ x 3⅜" (8K) electric brakes after 6/92. Used with actuating lever kit K71-380 or K71-381.

DX Part No.	Quantity	Part Description
027-050-00	1	Magnet Retainer
042-127-00	1	Magnet Assembly (white wire)
046-117-00	1	Magnet Spring
059-511-00	1	Instruction Sheet

Magnet Kit K71-376-00

Fits Dexter 12¼ x 3⅜" (9-10K) or 12¼ x 4" (10K) electric brakes after 6/92. Used with actuating lever kit K71-380 or K71-381.

DX Part No.	Quantity	Part Description
027-050-00	1	Magnet Retainer
042-129-00	1	Magnet Assembly (yellow wire)
046-117-00	1	Magnet Spring
059-511-00	1	Instruction Sheet

Magnet Kit K71-377-00

Fits Dexter 12¼ x 5" (12K) electric brakes after 6/92. Used with actuating lever kit K71-382 or K71-383.

DX Part No.	Quantity	Part Description
027-050-00	1	Magnet Retainer
042-130-00	1	Magnet Assembly (black wire)
046-117-00	1	Magnet Spring
059-511-00	1	Instruction Sheet

Magnet Kit K71-378-00

Fits Dexter 12¼ x 5" (15K) electric brakes after 6/92. Used with actuating lever kit K71-382 or K71-383.

DX Part No.	Quantity	Part Description
027-050-00	1	Magnet Retainer
027-050-00	1	Magnet Retainer
042-131-00	1	Magnet Assembly (blue wire)
046-117-00	1	Magnet Spring
059-511-00	1	Instruction Sheet



Electric Brake Parts Kit K71-399-00

Contains extra heat shrink caps, magnet retainer clips, wire clips, plugs, wire grommets and wire connectors for repairing Dexter brakes.

DX Part No.	Quantity	Part Description
027-005-00	6	Wire Clip
027-009-00	2	Magnet Retainer Clip
027-027-00	4	Heat Shrink Cap
027-039-00	6	Wire Clip
027-050-00	2	Magnet Retainer Clip
046-007-00	2	Plug
046-016-00	2	Wire Grommet
046-121-00	2	Magnet Retainer Clip
067-006-00	4	Wire Connector



Grease Fitting K71-292-00
 ¼-28 for .230/.235 dia. hole. Fits E-Z Lube spindles, shackle and hanger bolts.

DX Part No.	Quantity	Part Description
061-007-00	2	Grease Fitting



Conduit Connector Kit K71-278-00
 For 10 x 2¼" and 12 x 2" electric brakes.

DX Part No.	Quantity	Part Description
005-138-00	1	Washer
006-099-00	1	Nut
007-120-00	2	Screw
007-220-00	1	Screw
022-026-00	2	Rivet
027-036-00	2	Conduit Connectors
027-037-00	2	Retainers
059-577-00	1	Instruction Sheet



Camshaft Repair Kit K71-101-00
 Fits "P" and "PQ" style Dexter 10K, 12K and 15K, and 12¼ x 7½" air brake axles. For one brake.

DX Part No.	Quantity	Part Description
005-074-00	1	D Washer Camshaft
005-075-00	2	Camshaft Washer
005-134-00	1	Plain Washer
010-052-00	2	Seal
014-056-00	1	Camshaft Bushing
014-058-00	1	Camshaft Support Bushing
061-006-00	1	Grease Fitting
069-020-00	2	Camshaft Retainer
069-078-00	1	Snap Ring
059-552-00	1	Instruction Sheet for "P" style
059-553-00	1	Instruction sheet for "PQ" style

Camshaft Repair Kit K71-135-00
 Fits all "Q" quick change Dexter 16½ x 7" air brake axles. For one brake.

DX Part No.	Quantity	Part Description
005-096-00	1	Camshaft Washer
005-097-00	2	Camshaft Washer
005-134-00	1	Plain Washer
010-052-00	2	Seal
014-056-00	1	Camshaft Bushing
014-058-00	1	Camshaft Support Bushing
061-006-00	1	Grease Fitting
069-020-00	2	Camshaft Retainer
069-078-00	1	Snap Ring
059-554-00	1	Instruction Sheet



Brake Spring Kit

K71-361-00

For Dexter 7" electric brake.

DX Part No.	Quantity	Part Description
046-022-00	1	Adjusting Screw Spring
046-023-00	2	Shoe Hold Down Spring
046-024-00	1	Retractor Spring
046-086-00	1	Magnet Spring
046-114-00	2	Shoe Centering Spring

Brake Spring Kit

K71-362-00

For one Dexter 10 x 1½" brake.

DX Part No.	Quantity	Part Description
046-018-00	1	Adjusting Screw Spring
046-077-00	2	Shoe Hold Down Spring
046-080-00	1	Magnet Spring
046-084-00	1	Retractor Spring



Brake Spring Kit

K71-363-00

For Dexter 10 x 2¼" and 12 x 2" electric brakes without parking feature.

DX Part No.	Quantity	Part Description
046-009-00	2	Retractor Spring
046-018-00	1	Adjusting Screw Spring
046-077-00	2	Shoe Hold Down Spring
046-080-00	1	Magnet Spring



Brake Spring Kit

K71-426-00

For one Dexter 10 x 2¼" free backing, corrosion resistant, hydraulic brake.

DX Part No.	Quantity	Part Description
046-009-01	1	Retractor Spring
046-077-01	2	Hold Down Spring & Cup
046-083-01	1	Adjusting Screw Spring
046-107-03	1	Shoe Lever Retractor Spring
046-108-03	1	Primary Shoe Return Spring

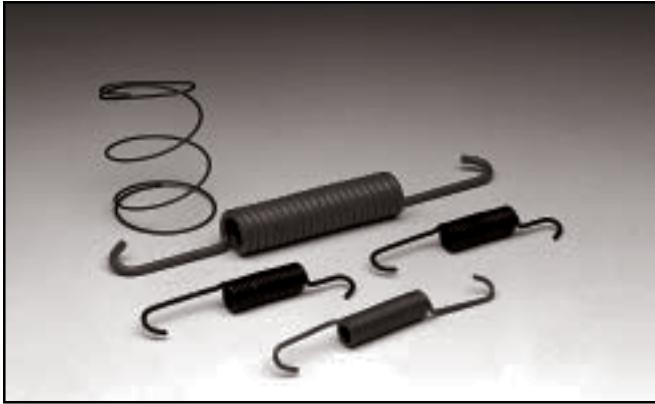


Brake Spring Kit

K71-434-00

For one Dexter 12 x 2" free backing, corrosion resistant, hydraulic brake.

DX Part No.	Quantity	Part Description
035-001-00	2	Cup
046-006-00	1	Shoe Hold Down
046-077-01	2	Hold Down Spring & Cup
046-101-01	1	Retractor Spring
046-107-03	1	Shoe Lever Retractor Spring
046-108-03	1	Primary Shoe Return Spring
046-123-01	1	Adjusting Screw Spring



Brake Spring Kit K71-412-00
For one Dexter 12¼ x 2½" electric brake (7.2K).

DX Part No.	Quantity	Part Description
046-018-00	1	Adjusting Screw Spring
046-117-00	1	Magnet Spring
046-119-00	1	Retractor Spring
046-120-00	2	Shoe Centering Spring



Brake Spring Kit K71-422-00
For one Dexter 12¼ x 3¾", 12¼ x 4" and 12¼ x 5" hydraulic brake.

DX Part No.	Quantity	Part Description
046-072-00	1	Adjusting Screw Spring
046-087-00	1	Retractor Spring



Brake Spring Kit K71-421-00
For one Dexter 12¼ x 3¾", 12¼ x 4" and 12¼ x 5" electric brake with stamped backing plate.

DX Part No.	Quantity	Part Description
046-071-00	1	Rear Retractor Spring
046-072-00	1	Adjusting Screw Spring
046-083-00	1	Front Retractor Spring
046-136-00	2	Centering Spring
059-659-00	1	Instruction Sheet

Brake Spring Kit K71-506-00
For one Dexter 12¼ x 3¾", 12¼ x 4" and 12¼ x 5" electric brake with cast backing plate.

DX Part No.	Quantity	Part Description
046-119-00	1	Retractor Spring
046-136-00	2	Centering Springs
046-137-00	1	Adjustor Spring

Brake Spring Kit K71-440-00
For one Dexter 12¼ x 3¾", 12¼ x 4" and 12¼ x 5" corrosion resistant hydraulic brake.

DX Part No.	Quantity	Part Description
046-072-01	1	Adjusting Screw Spring
046-087-01	1	Retractor Spring



Adjusting Screw & Spring K71-323-00
Fits Dexter 7" electric brake.

DX Part No.	Quantity	Part Description
043-021-00	1	Adjusting Screw
046-022-00	1	Adjusting Screw Spring

Adjusting Screw & Spring K71-324-00
Fits Dexter 10 x 1½", 10 x 2¼" hydraulic and electric, and 12 x 2" electric brakes.

DX Part No.	Quantity	Part Description
043-004-02	1	Adjusting Screw
046-018-00	1	Adjusting Screw Spring

Adjusting Screw & Spring K71-397-00

Fits Dexter 10 x 2¼" free backing hydraulic brakes.

DX Part No.	Quantity	Part Description
043-004-02	1	Adjusting Screw
046-083-01	1	Adjusting Screw Spring

Adjusting Screw & Spring K71-396-00

Fits Dexter 12 x 2" hydraulic brakes.

DX Part No.	Quantity	Part Description
043-029-01	1	Adjusting Screw
046-102-00	1	Adjusting Screw Spring

Adjusting Screw & Spring K71-398-00

Fits Dexter 12 x 2" free backing hydraulic brakes.

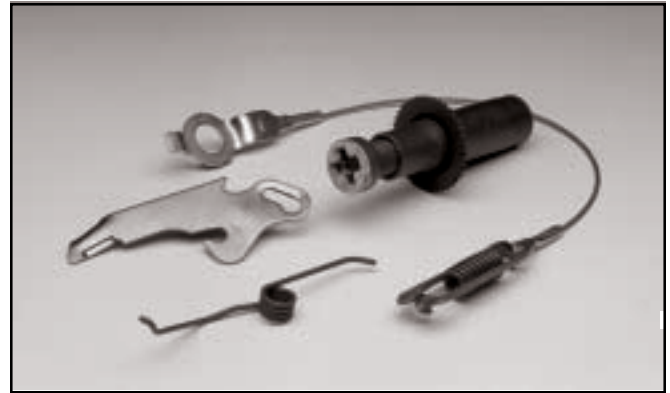
DX Part No.	Quantity	Part Description
043-028-00	1	Adjusting Screw
046-123-01	1	Adjusting Screw Spring



Adjusting Screw & Spring K71-411-00

Fits Dexter 12¼ x 2½" electric brake (7.2K) and all 12¼" manual adjust electric brakes.

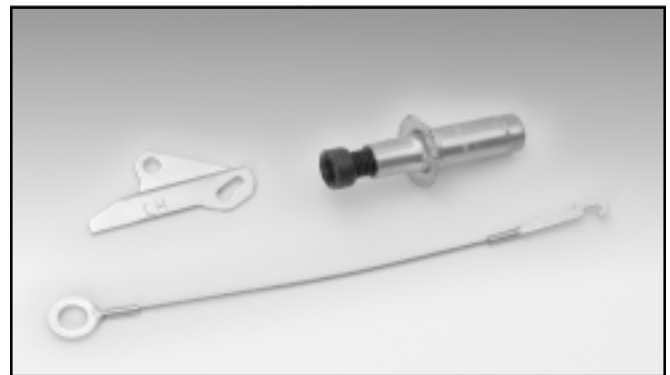
DX Part No.	Quantity	Part Description
046-018-00	1	Adjusting Screw Spring
048-017-00	1	Adjusting Screw



Brake Adjuster Kit K71-417-00

For one Dexter 12¼ x 3⅜", 12¼ x 4" and 12¼ x 5" hydraulic brakes. (Prior to 2-97.)

DX Part No.	Quantity	Part Description
046-073-00	1	Lever Spring, LH
046-074-00	1	Lever Spring, RH
048-009-00	1	Adjusting Screw Assembly, LH
048-010-00	1	Adjusting Screw Assembly, RH
071-019-01	1	Adjusting Lever, LH
071-019-02	1	Adjusting Lever, RH
071-443-00	2	Adjusting Cable



Brake Adjuster Kit K71-418-00

For one Dexter 12¼ x 3⅜", 12¼ x 4" and 12¼ x 5" electric brakes.

DX Part No.	Quantity	Part Description
046-073-00	1	Lever Spring, LH
046-074-00	1	Lever Spring, RH
048-009-00	1	Adjusting Screw Assembly, LH
048-010-00	1	Adjusting Screw Assembly, RH
071-019-01	1	Adjusting Lever, LH
071-019-02	1	Adjusting Lever, RH
071-020-00	2	Adjusting Cable

Brake Adjuster Kit K71-439-00

For Dexter 12¼" corrosion resistant self adjusting hydraulic brakes. 8K only. (Prior to 2-97.)

DX Part No.	Quantity	Part Description
046-073-01	1	Adjuster Lever Spring, LH
046-074-01	1	Adjuster Lever Spring, RH
048-009-00	1	Adjusting Screw Assembly, LH
048-010-00	1	Adjusting Screw Assembly, RH
071-019-04	1	Adjusting Lever, RH
071-019-03	1	Adjusting Lever, LH
071-443-00	1	Adjuster Cable

Brake Adjuster Kit K71-472-00

For Dexter 12¼" forward self adjusting hydraulic brakes. (After 2-97.)

DX Part No.	Quantity	Part Description
046-132-00	2	Adjuster Clip, Thread End
046-133-00	2	Adjuster Clip, Barrel End
046-134-00	1	Adjuster Lever Spring, RH
046-135-00	1	Adjuster Lever Spring, LH
048-019-00	1	Adjusting Screw Assembly, LH
048-020-00	1	Adjusting Screw Assembly, RH
071-462-00	2	Adjuster Cable
071-463-00	1	Adjusting Lever, RH
071-464-00	1	Adjusting Lever, LH



Hub Cover K71-364-00

For 5-4.50 wheel, 3.18 OD, chrome.

DX Part No.	Quantity	Part Description
016-034-00	1	Hub Cover

Hub Cover K71-312-00

For 5-4.50 wheel, 3.18 OD, E-Z lube, chrome.

DX Part No.	Quantity	Part Description
016-034-21	1	Hub Cover

Hub Cover K71-311-00

For 6-5.50 wheel, 4.27 OD, chrome.

DX Part No.	Quantity	Part Description
016-035-00	1	Hub Cover

Hub Cover K71-313-00

For 6-5.50 wheel, 4.27 OD, E-Z lube, chrome.

DX Part No.	Quantity	Part Description
016-035-21	1	Hub Cover



Hub Cover K71-404-00

For 5-4.50 wheel, 3.18 OD, black plastic.

DX Part No.	Quantity	Part Description
016-044-00	1	Hub Cover

Hub Cover K71-419-00

For 5-4.50 wheel, 3.19 OD, E-Z lube, black plastic.

DX Part No.	Quantity	Part Description
016-044-21	1	Hub Cover

Hub Cover K71-405-00

For 6-5.50 wheel, 4.27 OD, black plastic.

DX Part No.	Quantity	Part Description
016-045-00	1	Hub Cover

Hub Cover K71-420-00

For 6-5.50 wheel, 4.27 OD, E-Z lube, black plastic.

DX Part No.	Quantity	Part Description
016-045-21	1	Hub Cover



Grease Cap K71-314-00

Fits Dexter 7", 10 x 1½", 10 x 2¼" hub. 1.99 OD

DX Part No.	Quantity	Part Description
021-003-00	2	Grease Cap

Grease Cap K71-316-00

Fits Dexter 12 x 2" hub. 4, 5, & 6 bolt, 2.45 OD.

DX Part No.	Quantity	Part Description
021-001-00	2	Grease Cap

Grease Cap K71-318-00

Fits Dexter 12 x 2" hub. 8 bolt, 2.72 OD.

DX Part No.	Quantity	Part Description
021-039-00	2	Grease Cap



E-Z Lube Grease Cap & Plug Kit K71-315-00

Fits Dexter 7", 10 x 1½" and 10 x 2¼" hub. 1.99 OD, chrome.

DX Part No.	Quantity	Part Description
021-041-02	2	Grease Cap
085-001-00	2	E-Z Lube Plug

E-Z Lube Grease Cap & Plug Kit K71-317-00

Fits Dexter 12 x 2" hub. 5, & 6 bolt, 2.45 OD, chrome.

DX Part No.	Quantity	Part Description
021-042-02	2	Grease Cap
085-001-00	2	E-Z Lube Plug

E-Z Lube Grease Cap & Plug Kit K71-319-00

Fits Dexter 12 x 2" hub. 8 bolt, 2.72 OD, chrome.

DX Part No.	Quantity	Part Description
021-043-02	2	Grease Cap
085-001-00	2	E-Z Lube Plug



E-Z Lube Plug K71-320-00

Fits Dexter E-Z Lube grease caps.

DX Part No.	Quantity	Part Description
085-001-00	2	E-Z Lube Plug



Bearing Cup and Cone K71-306-00

Fits Dexter 7" hub inner and outer, 10 x 1½" outer, 10 x 2¼" outer. L44610/L44649.

DX Part No.	Quantity	Part Description
031-031-01	1	Cup
031-031-02	1	Cone

Bearing Cup and Cone K71-307-00

Fits Dexter 10 x 1½" hub inner and 12 x 2" outer. LM67010/LM67048.

DX Part No.	Quantity	Part Description
031-032-01	1	Cup
031-032-02	1	Cone

Bearing Cup and Cone K71-390-00

Fits Dexter 10 x 2¼" hub. Inner. L68111/L68149.

DX Part No.	Quantity	Part Description
031-033-01	1	Cup
031-033-02	1	Cone

Bearing Cup and Cone K71-308-00

Fits Dexter 12 x 2" and 12¼ x 2½" hub. Inner. 25520/25580.

DX Part No.	Quantity	Part Description
031-030-01	1	Cup
031-030-02	1	Cone

Bearing Cup and Cone K71-309-00

Fits Dexter 8-174 wheel and drum. Outer. 15245/15123.

DX Part No.	Quantity	Part Description
031-029-01	1	Cup
031-029-02	1	Cone

Bearing Cup and Cone K71-310-00

Fits Dexter 12 x 2" hub. 8 bolt, outer 14125A/14276.

DX Part No.	Quantity	Part Description
031-017-01	1	Cup
031-017-02	1	Cone

Bearing Cup and Cone K71-415-00

Fits Dexter 12¼ x 2½" hub. Outer. 02420/02475.

DX Part No.	Quantity	Part Description
031-028-01	1	Cup
031-028-02	1	Cone



Oil Cap, O-Ring & Plug Kit K71-038-00

Fits Dexter 6K & 8K screw-in (and Dexter 9K before 10/89). 27/8-12 thread. Replaces #021-029-00 oil cap.

DX Part No.	Quantity	Part Description
010-045-00	2	O-Ring
021-035-00	2	Oil Cap
046-032-00	2	Plug

Oil Cap, O-Ring & Plug Kit K71-148-00

Fits Dexter 9K (after 10-1-89) and 10K, 12K, 15K. 4-12 threads.

DX Part No.	Quantity	Part Description
010-050-00	2	O-Ring
021-036-00	2	Oil Cap
046-032-00	2	Plug



Seal K71-301-00
 Fits Dexter 7" hub. 1.50 ID x 1.987 OD.

DX Part No.	Quantity	Part Description
010-060-00	2	Grease Seal

Seal K71-302-00
 Fits Dexter 10 x 1½" hub. 1.75 ID x 2.33 OD.

DX Part No.	Quantity	Part Description
010-036-00	2	Grease Seal

Seal K71-305-00
 Fits Dexter 12 x 2" hub. 2.250 ID x 3.376 OD.

DX Part No.	Quantity	Part Description
010-036-00	2	Grease Seal

Seal K71-389-00
 Fits Dexter 12 x 2" MHU hub. 1.938 ID x 2.510 OD.

DX Part No.	Quantity	Part Description
010-040-00	2	Grease Seal



Seal K71-303-00
 Fits Dexter 10 x 2¼" hub. 1.72 ID x 2.565 OD.

DX Part No.	Quantity	Part Description
010-019-00	2	Oil Seal

Seal K71-304-00
 Fits Dexter 12 x 2" hub. 2.125 ID x 3.376 OD.

DX Part No.	Quantity	Part Description
010-010-00	2	Oil Seal

Seal K71-386-00
 Fits Dexter 7.2K and 8K drum. Unitized, 2.250 ID x 3.376 OD.

DX Part No.	Quantity	Part Description
010-063-00	2	Oil Seal



Seal K71-387-00
 Fits Dexter 9K and 10K GD hub/drum. Unitized, 2.875 ID x 3.880 OD.

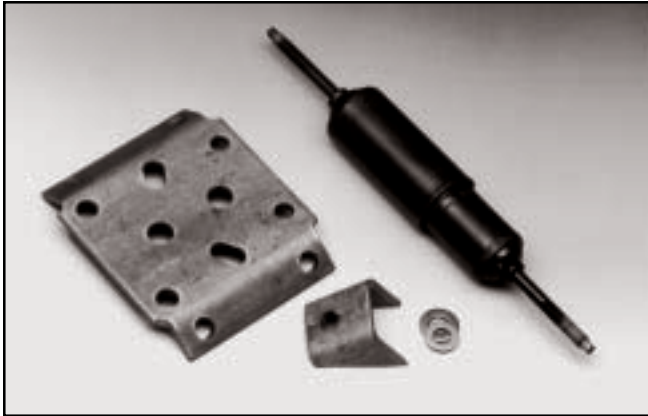
DX Part No.	Quantity	Part Description
010-051-01	2	Oil Seal

Seal K71-388-00
 Fits Dexter 10K-15K HD hubs. Unitized, 3.125 ID x 4.506 OD.

DX Part No.	Quantity	Part Description
010-056-00	2	Oil Seal

Rim Clamps K71-298-00
 Fits Dexter 5-spoke demountable 12 x 2" W-D.

DX Part No.	Quantity	Part Description
015-002-00	5	Rim Clamps



Shock Kit K71-175-01

Fits 2³/₄" and 3" tube for 1.75 wide springs. For one axle.

DX Part No.	Quantity	Part Description
005-115-00	4	7/16" Washer
005-116-00	4	1/2" Washer
012-055-00	2	Tie Plate
033-029-00	2	Upper Bracket
052-003-00	2	Shock Absorber w/bag parts
059-258-00	1	Instruction Sheet



Wheel Mounting Studs - RH K71-345-00

3/4-10 hub thread, 3/4-16 nut thread.

DX Part No.	Quantity	Part Description
025-013-01	4	Wheel Mounting Stud - RH

Wheel Mounting Studs - LH K71-346-00

3/4-10 hub thread, 3/4-16 nut thread.

DX Part No.	Quantity	Part Description
025-013-02	4	Wheel Mounting Stud - LH

Wheel Mounting Studs K71-407-00

1/2-20 hub thread, 1/2-20 nut thread.

DX Part No.	Quantity	Part Description
025-053-00	4	Wheel Mounting Stud

Press-In Wheel Studs K71-295-00

1.84 long, 1/2-20 UNF.

DX Part No.	Quantity	Part Description
007-122-00	6	Press-In Wheel Stud

Press-In Wheel Studs K71-342-00

5/8-18 UNF.

DX Part No.	Quantity	Part Description
007-115-00	4	Press-In Wheel Stud

Press-In Wheel Studs - RH K71-343-00

3/4-16 UNF.

DX Part No.	Quantity	Part Description
007-102-01	4	Press-In Wheel Stud - RH



Rotor Mounting Studs & Nuts Kit K71-356-00

1/2-13 UNC hub thread, 1/2-20 UNF nut thread.

DX Part No.	Quantity	Part Description
006-046-00	2	Nut
025-014-00	2	Rotor Mounting Stud

Press-In Wheel Studs - LH K71-344-00
 $\frac{3}{4}$ -16 UNF.

DX Part No.	Quantity	Part Description
007-102-02	4	Press-In Wheel Stud - LH

Press-In Wheel Studs K71-471-00
 $\frac{1}{2}$ -20 UNF.

DX Part No.	Quantity	Part Description
007-246-00	5	Press-In Wheel Stud



Drum Mounting Screws K71-355-00
 Fits Dexter 9K and 10K GD. 1.50 long, $\frac{1}{2}$ -13 UNC.

DX Part No.	Quantity	Part Description
007-245-00	4	Drum Mounting Screw

Drum Mounting Screws K71-354-00
 Fits Dexter 10K, 12K and 15K. 1.75 long, $\frac{1}{2}$ -13 UNC.

DX Part No.	Quantity	Part Description
007-244-00	4	Drum Mounting Screw



Wheel Bolts K71-296-00
 60°, .88 long, $\frac{1}{2}$ -20 UNF.

DX Part No.	Quantity	Part Description
007-040-00	5	Wheel Bolt

Wheel Bolts K71-297-00
 Fits Dexter MH hub. 1.63 long, $\frac{1}{2}$ -13 UNC.

DX Part No.	Quantity	Part Description
007-036-00	5	Wheel Bolt



Inner Wheel Nuts - LH K71-351-00
 $\frac{3}{4}$ -16 UNF, Ball seat, steel dual wheels.

DX Part No.	Quantity	Part Description
006-069-02	4	Inner Wheel Nut - LH

Inner Wheel Nuts - RH K71-350-00
 $\frac{3}{4}$ -16 UNF, Ball seat, steel dual wheels.

DX Part No.	Quantity	Part Description
006-069-01	4	Inner Wheel Nut - RH



Outer Wheel Nuts - LH K71-352-00
1¹/₈-16 UN, Ball seat.

DX Part No.	Quantity	Part Description
006-070-02	4	Outer Wheel Nut - LH

Outer Wheel Nuts - RH K71-353-00
1¹/₈-16 UN, Ball seat.

DX Part No.	Quantity	Part Description
006-070-01	4	Outer Wheel Nut - RH



Wheel Nuts K71-299-00
60° cone, 1/2-20 UNF.

DX Part No.	Quantity	Part Description
006-080-00	6	Wheel Nut

Wheel Nuts K71-300-00
60° cone, stainless steel capped, 1/2-20 UNF.

DX Part No.	Quantity	Part Description
006-098-00	6	Wheel Nut

Wheel Nuts K71-347-00
90° cone, 5/8-18 UNF.

DX Part No.	Quantity	Part Description
006-109-00	4	Wheel Nut

Wheel Nuts - LH K71-349-00
3/4-16 UNF, Ball seat, single wheels.

DX Part No.	Quantity	Part Description
006-064-02	4	Wheel Nut - LH

Wheel Nuts - RH K71-348-00
3/4-16 UNF, Ball seat, single wheels.

DX Part No.	Quantity	Part Description
006-064-01	4	Wheel Nut - RH



Nut Covers K71-406-00
1³/₁₆ hex nut, black plastic. Fits Dexter K71-299-00.

DX Part No.	Quantity	Part Description
016-046-00	6	Nut Cover



Spindle Nuts & Washers Kit K71-367-00

Fits Dexter 9K (after 10-1-89) and 10K GD. 1½-12 UNF. For one end.

DX Part No.	Quantity	Part Description
005-070-00	1	Spindle Washer
005-071-00	1	Tang Washer
006-096-00	2	Spindle Nut

Spindle Nuts & Washers Kit K71-341-00

Fits Dexter 10K HD, 12K and 15K. 1¼-12 UNF. For one end.

DX Part No.	Quantity	Part Description
005-060-00	1	Spindle Washer
005-059-00	1	Tang Washer
006-084-00	2	Spindle Nut



Spindle Nuts & Washers Kit K71-335-00

Fits Dexter E-Z Lube axles.

DX Part No.	Quantity	Part Description
005-023-00	2	D Spindle Washer
005-101-00	2	Tang Washer
006-001-00	2	Spindle Nut



Nuts, Washers & Cotter Keys Kit K71-322-00

Fits Dexter 10 x 1½" and 10 x 2¼" hubs. 1-14 UNS.

DX Part No.	Quantity	Part Description
005-023-00	2	D Spindle Washer
006-176-00	2	Spindle Nut
019-002-00	2	Cotter Key

Nuts, Washers & Cotter Keys Kit K71-321-00

Fits Dexter 12 x 2" and 8K hub. 1-14 UNS.

DX Part No.	Quantity	Part Description
005-057-01	2	D Spindle Washer
006-176-00	2	Spindle Nut
019-002-00	2	Cotter Key



U-Bolts & Nuts Kit K71-391-00

Replacement for 1.75" axle tube. ¾-24 UNF.

DX Part No.	Quantity	Part Description
006-130-01	4	Nut
011-054-01	2	U-Bolt

U-Bolts & Nuts Kit K71-293-00

Replacement for 2.38" axle tube. $\frac{7}{16}$ -20 UNF.

DX Part No.	Quantity	Part Description
006-017-00	4	Nut
011-074-00	2	U-Bolt

U-Bolts & Nuts Kit K71-294-00

Replacement for 3.00" axle tube. $\frac{1}{2}$ -20 UNF.

DX Part No.	Quantity	Part Description
006-129-01	4	Nut
011-017-01	2	U-Bolt
059-269-00	1	Instruction Sheet



Over/Under Conversion Kit K71-384-00

Conversion kit for $2\frac{3}{8}$ " tube.

DX Part No.	Quantity	Part Description
003-062-00	2	Spring Seat
006-017-01	8	Nut
011-074-00	4	U-Bolt
012-051-00	2	Tie Plate
059-551-00	1	Instruction Sheet

Over/Under Conversion Kit K71-385-00

Conversion kit for 3" tube.

DX Part No.	Quantity	Part Description
003-063-00	2	Spring Seat
006-129-00	8	Nut
011-017-00	4	U-Bolt
012-001-00	2	Tie Plate
059-551-00	1	Instruction Sheet



Shackle Link K71-288-00

2.25 hole to hole, 3.50 long. Use with shackle bolt kit K71-290-00.

DX Part No.	Quantity	Part Description
018-011-01	4	Shackle Link

Shackle Link K71-289-00

3.12 hole to hole, 4.38 long. Use with shackle bolt kit K71-290-00.

DX Part No.	Quantity	Part Description
018-012-01	4	Shackle Link



Shackle Bolt & Flange Nut Kit K71-290-00

2.90 long, $\frac{7}{16}$ -20 UNF.

DX Part No.	Quantity	Part Description
006-092-01	2	Flange Nut
007-126-01	2	Bolt



Rubber Spring Eye Bushing K71-370-00

Fits Dexter 10K - 15K axles.

DX Part No.	Quantity	Part Description
014-069-00	1	Spring Eye Bushing

Rubber Equalizer Bushing K71-371-00

Fits Dexter 8K - 9K axles.

DX Part No.	Quantity	Part Description
014-074-00	1	Equalizer Bushing

Rubber Equalizer Bushing K71-372-00

Fits Dexter 10K - 15K axles.

DX Part No.	Quantity	Part Description
014-070-00	1	Equalizer Bushing

Heavy Duty Suspension Kit K71-358-00

For 1¾" wide, double eye springs – single axles (A/P 171).

DX Part No.	Quantity	Part Description
006-092-01	6	Locknut
007-187-00	2	Step Bolt Wet
014-077-00	4	Bronze Bushing
018-022-01	2	Shackle Link
018-027-01	2	Shackle Link Assembly
059-547-00	1	Instruction Sheet



Heavy Duty Suspension Kit K71-359-00

For 1¾" wide, double eye springs – tandem axles (A/P 271). 33" axle spacing

DX Part No.	Quantity	Part Description
006-092-01	14	Locknut
007-126-00	2	Bolt
007-187-00	4	Step Bolt Wet
014-077-00	8	Bronze Bushing
013-104-04	2	Equalizer
018-024-01	4	Shackle Link
018-026-00	4	Shackle Link Assembly
059-547-00	1	Instruction Sheet

Heavy Duty Suspension Kit K71-360-00

For 1¾" wide, double eye springs – triple axles (A/P 371).

Dx Part No.	Quantity	Part Description
006-092-01	22	Locknut
007-126-00	4	Bolt
007-187-00	6	Step Bolt Wet
013-104-04	2	Equalizer
013-105-04	2	Equalizer
014-077-00	12	Bronze Bushing
018-024-01	6	Shackle Link
018-026-00	6	Shackle Link Assembly
059-547-00	1	Instruction Sheet

Heavy Duty Suspension Kit K71-448-00

For 1¾" wide, double eye springs – tandem axles with 4" high equalizer.

DX Part No.	Quantity	Part Description
006-092-01	14	Locknut
007-126-00	2	Bolt
007-187-00	4	Step Bolt Wet
013-010-04	2	Equalizer
014-077-00	8	Bronze Bushing
018-024-01	4	Shackle Link
018-026-00	4	Shackle Link Assembly
059-547-00	1	Instruction Sheet



Heavy Duty Suspension Kit K71-449-00

For 1¾" wide, double eye springs – tandem axles with 35" axle spacing.

DX Part No.	Quantity	Part Description
006-092-01	14	Locknut
007-126-00	2	Bolt
007-187-00	4	Step Bolt Wet
013-122-04	2	Equalizer
014-077-00	8	Bronze Bushing
018-024-01	4	Shackle Link
018-026-00	4	Shackle Link Assembly
059-547-00	1	Instruction Sheet

Heavy Duty Suspension Kit K71-453-00

For 1¾" wide, double eye springs – triple axles with 35" axle spacing.

DX Part No.	Quantity	Part Description
006-092-01	22	Locknut
007-126-00	4	Bolt
007-187-00	6	Step Bolt Wet
013-122-04	2	Rear Equalizer, Bronzed Bushed
013-126-04	2	Front Equalizer, Bronzed Bushed
014-077-00	12	Bronze Bushing
018-024-01	6	Shackle Link
018-026-00	6	Shackle Link Assembly
059-547-00	1	Instruction Sheet

Suspension Kit K71-403-00

For 1¾" wide, double eye springs – single axle (A/P 122).

DX Part No.	Quantity	Part Description
006-092-01	6	Nut
007-126-00	2	Bolt
018-012-00	2	Shackle Link
018-021-00	2	Shackle Link Assembly



Suspension Kit K71-401-00

For 1¾" wide, double eye springs – tandem axles (A/P 233).

DX Part No.	Quantity	Part Description
006-092-01	14	Nut
007-126-00	6	Bolt
013-104-02	2	Equalizer
018-011-00	4	Shackle Link
018-020-00	4	Shackle Link Assembly

Suspension Kit K71-402-00

For 1¾" wide, double eye springs – triple axles (A/P 335).

DX Part No.	Quantity	Part Description
006-092-01	24	Nut
007-126-00	10	Bolt
013-104-02	2	Equalizer, Rear
013-105-02	2	Equalizer, Front
018-011-00	6	Shackle Link
018-020-00	6	Shackle Link Assembly



Slipper Spring Kit

K71-365-00

Attaching Parts

For 2800 lb., 5200 lb. & 6000 lb. axles with 33.5" axle spacing (A/P 202).

DX Part No.	Quantity	Part Description
006-007-00	4	Spring Eye Bolt Nut
006-011-00	4	Keeper Bolt Nut
006-111-00	2	Equalizer Nut
007-001-01	2	Equalizer Bolt
007-007-00	4	Keeper Bolt
007-017-00	4	Spring Eye Bolt
013-004-00	2	Equalizer

Slipper Spring Kit

K71-366-00

Attaching Parts

For 8000 lb. and 7000 lb. axles with 36" axle spacing (A/P 216).

DX Part No.	Quantity	Part Description
006-007-00	4	Spring Eye Bolt Nut
006-011-00	4	Keeper Bolt Nut
006-111-00	2	Equalizer Nut
007-001-01	2	Equalizer Bolt
007-007-00	4	Keeper Bolt
007-017-00	4	Spring Eye Bolt
013-044-01	2	Equalizer



Bronze Bushing

K71-291-00

For spring eye and equalizer. 1.74 long, .575 ID, .698 OD,

DX Part No.	Quantity	Part Description
014-077-00	4	Bronze Bushing



DEXTER AXLE

Kit Name Page No Kit No Description/Notes

2000# Capacity

Brake Part Kits - 7" Brakes

Actuating Lever - LH	2	K71-325-00	Used with magnet kit K71-057-00
Actuating Lever - RH	2	K71-326-00	Used with magnet kit K71-057-00
Adjusting Screw and Spring	16	K71-323-00	Electric brakes
Brake Shoe & Lining Kit	5	K71-045-00	7 x 1 1/4" Electric brakes
Brake Shoe & Lining Kit	5	K71-466-00	7 x 1 1/4" Hydraulic brakes
Brake Spring Kit	15	K71-361-00	Electric brakes
Electric Brake Parts Kit (misc.)	13	K71-399-00	Miscellaneous connectors
Magnet Kit	12	K71-057-00	Electric brakes after 4-1-90
Torflex 90° Hose Kit	5	K71-461-00	For hydraulic brakes on Torflex axles with tight clearance

Hub Part Kits - 7"

Bearing Cup and Cone	20	K71-306-00	L44610/L44649; inner and outer
E-Z Lube Grease Cap and Plug	19	K71-315-00	1.99 outside dia., chrome steel
E-Z Lube Plug	19	K71-320-00	E-Z lube grease caps
Grease Cap	19	K71-314-00	1.99 outside dia.
Grease Fitting	14	K71-292-00	1/4 - 28 for .230/.235 dia. hole
Seal	21	K71-301-00	1.50 inside dia. x 1.987 outside dia.
Spindle Nuts and Washers	25	K71-335-00	E-Z lube axles. 1-14 UNS

Hub Cover Kits

Hub Cover	18	K71-364-00	5-4.50 wheel, 3.18 outside dia., chrome steel
Hub Cover	18	K71-404-00	5-4.50 wheel, 3.18 outside dia., black plastic
Hub Cover	18	K71-312-00	5-4.50 wheel, 3.18 outside dia., E-Z lube, chrome steel
Hub Cover	18	K71-419-00	5-4.50 wheel, 3.18 outside dia., E-Z lube, black plastic

Wheel Fastener Kits

Nut Covers	24	K71-406-00	13/16 hex nut, black plastic
Press-in Wheel Studs	23	K71-471-00	1/2 - 20 UNF
Wheel Mounting Stud	22	K71-407-00	1/2 - 20 hub thread, 1/2 - 20 nut thread
Wheel Bolts	23	K71-296-00	60° .88 long, 1/2 - 20 UNF
Wheel Nuts	24	K71-299-00	60° cone, 1/2 - 20 UNF
Wheel Nuts	24	K71-300-00	60° cone, 1/2 - 20 UNF

Suspension Components Kits

Bronze Bushing	29	K71-291-00	1.74 long, .575 inside dia. x .698 outside dia.
Heavy Duty Suspension Kit	27	K71-358-00	Single axles; double eye
Heavy Duty Suspension Kit	27	K71-359-00	Tandem axles; double eye
Heavy Duty Suspension Kit	27	K71-360-00	Triple axles; double eye
Heavy Duty Suspension Kit	27	K71-448-00	Tandem axles with 4" high equalizer; double eye
Heavy Duty Suspension Kit	28	K71-449-00	Tandem axles with 35" axle spacing; double eye
Heavy Duty Suspension Kit	28	K71-453-00	Triple axles with 35" axle spacing; double eye
Shackle Bolt and Flange Nut	26	K71-290-00	2.90 long, 7/16 - 20 UNF
Shackle Link	26	K71-288-00	2.25 hole to hole, 3.50 long
Shackle Link	26	K71-289-00	3.12 hole to hole, 4.38 long
Suspension Kit	28	K71-403-00	Single axles; double eye
Suspension Kit	28	K71-401-00	Tandem axles; double eye
Suspension Kit	28	K71-402-00	Triple axles; double eye
U-Bolts and Nuts	26	K71-293-00	7/16 - 20 UNF (2 3/8" axle tube; drop axle only)
U-Bolts and Nuts	25	K71-391-00	3/8 - 24 UNF (1 3/4" axle tube)

2800# Capacity

Brake Part Kits - 10 x 1 1/2" Brakes

Actuating Lever - LH	2	K71-327-00	Used with magnet kit K71-177-00
Actuating Lever - RH	2	K71-328-00	Used with magnet kit K71-177-00
Adjusting Screw and Spring	16	K71-324-00	Electric or hydraulic brakes
Brake Shoe & Lining Kit	5	K71-046-00	Electric brakes
Brake Spring Kit	15	K71-362-00	Electric brakes

Kit Name	Page No	Kit No.	Description/Notes
Magnet Kit	12	K71-057-00	Electric brakes prior to 9-1-88
Magnet Kit	12	K71-177-00	Electric brakes after 9-1-88
Electric Brake Parts Kit (misc.)	13	K71-399-00	Miscellaneous connectors

Hub Part Kits - 10 x 1½"

Bearing Cup and Cone	20	K71-306-00	L44610/L44649; outer
Bearing Cup and Cone	20	K71-307-00	LM67010/LM67048; inner
E-Z Lube Grease Cap and Plug	19	K71-315-00	1.99 outside dia., chrome steel
E-Z Lube Plug	19	K71-320-00	E-Z lube grease caps
Grease Cap	19	K71-314-00	1.99 outside dia.
Grease Fitting	14	K71-292-00	¼ - 28 for .230/.235 dia. hole
Nuts, Washers and Cotter Keys	25	K71-322-00	1-14 UNS
Seal	21	K71-302-00	1.75 inside dia. x 2.33 outside dia.
Spindle Nuts and Washers	25	K71-335-00	E-Z lube axles. 1-14 UNS

Hub Cover Kits

Hub Cover	18	K71-364-00	5-4.50 wheel, 3.18 outside dia., chrome steel
Hub Cover	18	K71-404-00	5-4.50 wheel, 3.18 outside dia., black plastic
Hub Cover	18	K71-312-00	5-4.50 wheel, 3.18 outside dia., E-Z lube, chrome steel
Hub Cover	18	K71-419-00	5-4.50 wheel, 3.18 outside dia., E-Z lube, black plastic

Wheel Fastener Kits

Nut Covers	24	K71-406-00	13/16 hex nut, black plastic
Press-In Wheel Studs	22	K71-295-00	1.84 long, ½ - 20 UNF
Wheel Bolts	23	K71-296-00	60° .88 long, ½ - 20 UNF
Wheel Bolts	23	K71-297-00	1.63 long, ½ - 13 UNC; MH only
Wheel Nuts	24	K71-299-00	60° cone, ½ - 20 UNF
Wheel Nuts	24	K71-300-00	60° cone, ½ - 20 UNF

Suspension Components Kits

Bronze Bushing	29	K71-291-00	1.74 long, .575 inside dia. x .698 outside dia.
Heavy Duty Suspension Kit	27	K71-358-00	Single axles; double eye
Heavy Duty Suspension Kit	27	K71-359-00	Tandem axles; double eye
Heavy Duty Suspension Kit	27	K71-360-00	Triple axles; double eye
Heavy Duty Suspension Kit	27	K71-448-00	Tandem axles with 4" high equalizer; double eye
Heavy Duty Suspension Kit	28	K71-449-00	Tandem axles with 35" axle spacing; double eye
Heavy Duty Suspension Kit	28	K71-453-00	Triple axles with 35" axle spacing; double eye
Over/Under Conversion Kit	26	K71-384-00	Spring conversion kit
Shackle Bolt and Flange Nut	26	K71-290-00	2.90 long, 7/16 - 20 UNF
Shackle Link	26	K71-288-00	2.25 hole to hole, 3.50 long
Shackle Link	26	K71-289-00	3.12 hole to hole, 4.38 long
Shock Kit	22	K71-175-01	Underslung only; for one axle
Slipper Spring Kit Attaching Parts	29	K71-365-00	Axles with 33.5" axle spacing
Suspension Kit	28	K71-403-00	Single axles; double eye
Suspension Kit	28	K71-401-00	Tandem axles; double eye
Suspension Kit	28	K71-402-00	Triple axles; double eye
U-Bolts and Nuts	26	K71-293-00	7/16 - 20 UNF (23/8" axle tube)

3500# Capacity

Brake Part Kits - 10 x 2¼" Brakes

Actuating Lever - LH	2	K71-331-00	Electric brakes. Used with magnet kit K71-104-00
Actuating Lever - RH	2	K71-332-00	Electric brakes. Used with magnet kit K71-104-00
Adjusting Screw and Spring	16	K71-324-00	Electric or hydraulic brakes
Adjusting Screw and Spring	17	K71-397-00	Hydraulic free backing brakes
Brake Cylinder Kit - LH	4	K71-337-00	Uni-servo, 1 1/8" dia.
Brake Cylinder Kit - RH	4	K71-338-00	Uni-servo, 1 1/8" dia.
Brake Cylinder Kit - LH	4	K71-339-00	Duo-servo, 1 1/8" dia.
Brake Cylinder Kit - RH	4	K71-340-00	Duo-servo, 1 1/8" dia.
Brake Cylinder Kit - LH	4	K71-424-00	Uni-servo, 1 1/8" dia., hydraulic, free backing, corrosion resistant brake



DEXTER AXLE

Kit Name Page No Kit No Description/Notes

3500# Capacity continued

Brake Cylinder Kit - RH	4	K71-425-00	Uni-servo, 1 1/8" dia., hydraulic, free backing, corrosion resistant brake
Brake Shoe & Lining Kit	6	K71-047-00	Electric brakes
Brake Shoe & Lining Kit	6	K71-267-00	Hydraulic brakes
Brake Shoe & Lining Kit	6	K71-393-00	Hydraulic free backing brakes
Brake Shoe & Lining Kit	6	K71-423-00	Hydraulic free backing brakes
Brake Spring Kit	15	K71-363-00	Brakes without parking features
Brake Spring Kit	15	K71-426-00	Hydraulic free backing brakes
Conduit Connector Kit	14	K71-278-00	Electric brakes
Electric Brake Parts Kit (misc.)	13	K71-399-00	Miscellaneous connectors
Magnet Kit	12	K71-104-00	Electric brakes
Torflex 90° Hose Kit	5	K71-461-00	For hydraulic brakes on Torflex axles with tight clearance

Hub Part Kits - 10 x 2 1/4"

Bearing Cup and Cone	20	K71-306-00	L44610/L44649; outer
Bearing Cup and Cone	20	K71-390-00	L68111/L68149; inner
E-Z Lube Grease Cap and Plug	19	K71-315-00	1.99 outside dia., chrome steel
E-Z Lube Plug	19	K71-320-00	E-Z lube grease caps
Grease Cap	19	K71-314-00	1.99 outside dia.
Grease Fitting	14	K71-292-00	1/4 - 28 for .230/.235 dia. hole
Nuts, Washers and Cotter Keys	25	K71-322-00	1-14 UNS
Seal	21	K71-303-00	1.72 inside dia. x 2.565 outside dia.
Spindle Nuts and Washers	25	K71-335-00	E-Z lube axles. 1-14 UNS

Hub Cover Kits

Hub Cover	18	K71-364-00	5-4.50 wheel, 3.18 outside dia., chrome steel
Hub Cover	18	K71-404-00	5-4.50 wheel, 3.18 outside dia., black plastic
Hub Cover	18	K71-312-00	5-4.50 wheel, 3.18 outside dia., E-Z lube, chrome steel
Hub Cover	18	K71-419-00	5-4.50 wheel, 3.18 outside dia., E-Z lube, black plastic

Wheel Fastener Kits

Nut Covers	24	K71-406-00	13/16 hex nut, black plastic
Press-In Wheel Studs	22	K71-295-00	1.84 long, 1/2 - 20 UNF
Wheel Bolts	23	K71-296-00	60° .88 long, 1/2 - 20 UNF
Wheel Nuts	24	K71-299-00	60° cone, 1/2 - 20 UNF
Wheel Nuts	24	K71-300-00	60° cone, 1/2 - 20 UNF

Suspension Components Kits

Bronze Bushing	29	K71-291-00	1.74 long, .575 inside dia. x .698 outside dia.
Heavy Duty Suspension Kit	27	K71-358-00	Single axles; double eye
Heavy Duty Suspension Kit	27	K71-359-00	Tandem axles; double eye
Heavy Duty Suspension Kit	27	K71-360-00	Triple axles; double eye
Heavy Duty Suspension Kit	27	K71-448-00	Tandem axles with 4" high equalizer; double eye
Heavy Duty Suspension Kit	28	K71-449-00	Tandem axles with 35" axle spacing; double eye
Heavy Duty Suspension Kit	28	K71-453-00	Triple axles with 35" axle spacing; double eye
Over/Under Conversion Kit	26	K71-384-00	Spring conversion kit
Shackle Bolt and Flange Nut	26	K71-290-00	2.90 long, 7/16 - 20 UNF
Shackle Link	26	K71-288-00	2.25 hole to hole, 3.50 long
Shackle Link	26	K71-289-00	3.12 hole to hole, 4.38 long
Shock Kit	22	K71-175-01	Underslung only; for one axle
Slipper Spring Kit Attaching Parts	29	K71-365-00	Axles with 33.5" axle spacing
Suspension Kit	28	K71-403-00	Single axles; double eye
Suspension Kit	28	K71-401-00	Tandem axles; double eye
Suspension Kit	28	K71-402-00	Triple axles; double eye
U-Bolts and Nuts	26	K71-293-00	7/16- 20 UNF (2 3/8" axle tube)
U-Bolts and Nuts	26	K71-294-00	1/2 - 20 UNF (3" axle tube)

5200#, 6000#, 7000#, 7200# Capacity

Brake Part Kits - 12 x 2" Brakes

Actuating Lever - LH	2	K71-333-00	Electric brakes. Used with magnet kit K71-105-00
----------------------	---	------------	--

Kit Name	Page No	Kit No.	Description/Notes
Actuating Lever - RH	2	K71-334-00	Electric brakes. Used with magnet kit K71-105-00
Adjusting Screw and Spring	16	K71-324-00	Electric brakes
Adjusting Screw and Spring	17	K71-396-00	Hydraulic brakes
Adjusting Screw and Spring	17	K71-398-00	Hydraulic free backing brakes
Brake Cylinder Kit - LH	4	K71-337-00	Uni-servo, 1 ¹ / ₈ " dia.
Brake Cylinder Kit - RH	4	K71-338-00	Uni-servo, 1 ¹ / ₈ " dia.
Brake Cylinder Kit - LH	4	K71-339-00	Duo-servo, 1 ¹ / ₈ " dia.
Brake Cylinder Kit - RH	4	K71-340-00	Duo-servo, 1 ¹ / ₈ " dia.
Brake Cylinder Kit - LH	4	K71-424-00	Uni-servo, 1 ¹ / ₈ " dia., hydraulic, free backing, corrosion resistant brake
Brake Cylinder Kit - RH	4	K71-425-00	Uni-servo, 1 ¹ / ₈ " dia., hydraulic, free backing, corrosion resistant brake
Brake Shoe & Lining Kit	6	K71-048-00	Electric brakes (DXQ)
Brake Shoe & Lining Kit	7	K71-127-00	Electric brakes (6K CSA, 7K)
Brake Shoe & Lining Kit	6	K71-268-00	Hydraulic brakes (5.2K)
Brake Shoe & Lining Kit - LH	6	K71-269-00	Hydraulic brakes (7K)
Brake Shoe & Lining Kit - RH	6	K71-270-00	Hydraulic brakes (7K)
Brake Shoe & Lining Kit - LH	6	K71-394-00	Hydraulic free backing brakes
Brake Shoe & Lining Kit - RH	6	K71-395-00	Hydraulic free backing brakes
Brake Shoe & Lining Kit - LH	7	K71-427-00	Hydraulic free backing, corrosion resistant brake
Brake Shoe & Lining Kit - RH	7	K71-428-00	Hydraulic free backing, corrosion resistant brake
Brake Spring Kit	15	K71-363-00	Electric brakes without parking features
Brake Spring Kit	15	K71-434-00	Hydraulic free backing, corrosion resistant brake
Conduit Connector Kit	14	K71-278-00	Electric brakes
Electric Brake Parts Kit (misc.)	13	K71-399-00	Miscellaneous connectors
Magnet Kit	12	K71-105-00	Electric brakes (DXQ)
Magnet Kit	13	K71-125-00	Electric brakes (7K)
Torflex 90° Hose Kit	5	K71-461-00	For hydraulic brakes on Torflex axles with tight clearance

Brake Part Kits - 12¹/₄ x 2¹/₂" Brakes

Actuating Lever Kit - LH	2	K71-413-00	Electric brake (7.2K). Used with magnet kit K71-441-00
Actuating Lever Kit - RH	3	K71-414-00	Electric brake (7.2K). Used with magnet kit K71-441-00
Adjusting Screw and Spring Kit	17	K71-411-00	Electric brake
Brake Shoe and Lining Kit	8	K71-410-00	Electric brake (7.2K). Stamped backing plate prior to April 2000
Brake Shoe and Lining Kit - LH	8	K71-497-00	Electric brake (7.2K). Cast backing plate in April 2000
Brake Shoe and Lining Kit - RH	8	K71-496-00	Electric brake (7.2K). Cast backing plate in April 2000
Brake Spring Kit	16	K71-412-00	Electric brake
Magnet Kit	13	K71-441-00	Electric brake used with actuating lever kit K71-413-00 or K71-414-00
Magnet Kit	13	K71-442-00	Electric brake used with actuating lever kit K71-413-00 or K71-414-00, 50" leads

Hub Part Kits - 12 x 2"

Bearing Cup and Cone	20	K71-307-00	LM67010/LM67048; outer
Bearing Cup and Cone	20	K71-308-00	25520/25580; inner
Bearing Cup and Cone	20	K71-309-00	15245/15123; outer
Bearing Cup and Cone	20	K71-310-00	14125A/14276; outer
E-Z Lube Grease Cap and Plug	19	K71-317-00	5, & 6 bolt, 2.45 outside dia., chrome steel
E-Z Lube Grease Cap and Plug	19	K71-319-00	8 bolt, 2.72 outside dia., chrome steel
E-Z Lube Plug	19	K71-320-00	E-Z lube grease caps
Grease Cap	19	K71-316-00	5, & 6 bolt, 2.450 outside dia.
Grease Cap	19	K71-318-00	8 bolt, 2.72 outside dia.
Grease Fitting	14	K71-292-00	¼ - 28 for .230/.235 dia. hole
Nuts, Washer and Cotter Keys	25	K71-321-00	8K hub
Oil Cap, O-Ring and Plug	20	K71-038-00	6K & 8K screw-in
Seal	21	K71-304-00	2.125 inside dia. x 3.376 outside dia.
Seal	21	K71-305-00	2.250 inside dia. x 3.376 outside dia.
Seal	21	K71-389-00	1.938 inside dia. x 2.510 outside dia. (MHU)
Spindle Nuts and Washers	25	K71-335-00	E-Z lube axles. 1-14 UNS

Hub Part Kits - 12¹/₄ x 2¹/₂"

Bearing Cup and Cone	20	K71-308-00	25520/25580; inner
Bearing Cup and Cone	20	K71-415-00	02420/02475; outer



DEXTER AXLE

Kit Name Page No..... Kit No. Description/Notes

5200#, 6000#, 7000#, 7200# Capacity continued

Hub Cover Kits

Hub Cover	18	K71-311-00	6-5.50 wheel, 4.27 outside dia., chrome steel, (5.2K)
Hub Cover	18	K71-405-00	6-5.50 wheel, 4.27 outside dia., black plastic (5.2K)
Hub Cover	18	K71-313-00	6-5.50 wheel, 4.27 outside dia., E-Z lube, chrome steel (5.2K)
Hub Cover	18	K71-420-00	6-5.50 wheel, 4.27 outside dia., E-Z lube, black plastic

Wheel Fastener Kits

Nut Covers	24	K71-406-00	13/16 hex nut, black plastic
Press-In Wheel Studs	22	K71-295-00	1.84 long, 1/2 - 20 UNF
Rim Clamps	21	K71-298-00	5 spoke, demountable 12 x 2"
Wheel Bolts	23	K71-296-00	60°.88 long, 1/2 - 20 UNF
Wheel Bolts	23	K71-297-00	1.63 long, 1/2 - 13 UNC; MH only
Wheel Nuts	24	K71-299-00	60° cone, 1/2 - 20 UNF
Wheel Nuts	24	K71-300-00	60° cone, 1/2 - 20 UNF

Suspension Components Kits

Bronze Bushing	29	K71-291-00	1.74 long, .575 inside dia. x .698 outside dia.
Heavy Duty Suspension Kit	27	K71-358-00	Single axles; double eye
Heavy Duty Suspension Kit	27	K71-359-00	Tandem axles; double eye
Heavy Duty Suspension Kit	27	K71-360-00	Triple axles; double eye
Heavy Duty Suspension Kit	27	K71-448-00	Tandem axles with 4" high equalizer; double eye
Heavy Duty Suspension Kit	28	K71-449-00	Tandem axles with 35" axle spacing; double eye
Heavy Duty Suspension Kit	28	K71-453-00	Triple axles with 35" axle spacing; double eye
Over/Under Conversion Kit	26	K71-385-00	Spring conversion kit
Shackle Bolt and Flange Nut	26	K71-290-00	2.90 long, 7/16 - 20 UNF
Shackle Link	26	K71-288-00	2.25 hole to hole, 3.50 long
Shackle Link	26	K71-289-00	3.12 hole to hole, 4.38 long
Shock Kit	22	K71-175-01	Underslung only; for one axle
Slipper Spring Kit Attaching Parts	29	K71-365-00	Axles with 33.5" axle spacing (5.2K and 6K)
Slipper Spring Kit Attaching Parts	29	K71-366-00	Axles with 36" axle spacing (7K)
Suspension Kit	28	K71-403-00	Single axles; double eye
Suspension Kit	28	K71-401-00	Tandem axles; double eye
Suspension Kit	28	K71-402-00	Triple axles; double eye
U-Bolts and Nuts	26	K71-294-00	1/2 - 20 UNF (3" axle tube)

8000#, 9000#, 10,000# General Duty Capacity

Brake Part Kits - 12 1/4 x 3 3/8" Brakes

Actuating Lever Kit - LH	3	K71-380-00	Electric brake, rear self adjust and manual. Used with magnet kit K71-375-00 or K71-376-00
Actuating Lever Kit - RH	3	K71-381-00	Electric brake, rear self adjust and manual. Used with magnet kit K71-375-00 or K71-376-00
Actuating Lever Kit - LH	3	K71-467-00	Forward self-adjust electric brake. Used with magnet kit K71-375-00 or K71-376-00
Actuating Lever Kit - RH	3	K71-468-00	Forward self-adjust electric brake. Used with magnet kit K71-375-00 or K71-376-00
Brake Adjuster Kit	17	K71-417-00	Hydraulic brake (Prior to 2/97)
Brake Adjuster Kit	17	K71-418-00	Electric brake
Brake Adjuster Kit	18	K71-439-00	Hydraulic brake, corrosion resistant (Prior to 2/97)
Brake Adjuster Kit	18	K71-472-00	Hydraulic brake, forward self-adjusting (After 2/97)
Brake Cylinder Rebuild Kit	4	K71-080-00	Hydraulic brake with 1" dia. cylinder
Brake Cylinder Rebuild Kit	4	K71-081-00	Hydraulic brake with 1 1/4" dia. cylinder
Brake Shoe & Lining Kit - LH	8	K71-049-00	Electric brake (8K, 9K, 10K GD). Stamped backing plate prior to April 2000
Brake Shoe & Lining Kit - LH	8	K71-499-00	Electric brake (8K, 9K, 10K GD). Cast backing plate in April 2000
Brake Shoe & Lining Kit - RH	8	K71-050-00	Electric brake (8K, 9K, 10K GD). Stamped backing plate prior to April 2000
Brake Shoe & Lining Kit - RH	8	K71-498-00	Electric brake (8K, 9K, 10K GD). Cast backing plate in April 2000

Kit Name	Page No	Kit No.	Description/Notes
Brake Shoe & Lining Kit - LH	8	K71-165-00	Hydraulic brake (8K, 9K, 10K GD)
Brake Shoe & Lining Kit - RH	8	K71-166-00	Hydraulic brake (8K, 9K, 10K GD)
Brake Shoe & Lining Kit - LH	9	K71-437-00	Hydraulic brake (8K, 9K, 10K GD), corrosion resistant
Brake Shoe & Lining Kit - RH	9	K71-438-00	Hydraulic brake (8K, 9K, 10K GD), corrosion resistant
Brake Spring Kit	16	K71-421-00	Electric Brake
Brake Spring Kit	16	K71-422-00	Hydraulic Brake
Brake Spring Kit	16	K71-440-00	Hydraulic Brake, corrosion resistant
Brake Spring Kit	16	K71-506-00	Electric Brake with cast backing plate
Forward Self-Adjust Retrofit Kit	10	K71-458-00	For electric brakes
Forward Self-Adjust Retrofit Kit	10	K71-465-00	For hydraulic brakes
Magnet Kit	13	K71-375-00	Electric brake after 6/92. Used with actuating lever kit K71-380-00 or K71-381-00 (8K)
Magnet Kit	13	K71-376-00	Electric brake after 6/92. Used with actuating lever kit K71-380-00 or K71-381-00 (9-10K)
Tag Brake Shoe & Lining - RH	9	K71-444-00	Hydraulic brake
Tag Brake Shoe & Lining - LH	9	K71-445-00	Hydraulic brake
Torflex 90° Hose Kit	5	K71-461-00	For hydraulic brakes on Torflex axles with tight clearance

Hub Part Kits - 8K, 9K and 10K GD

Drum Mounting Screws	23	K71-355-00	1.50 long, ½ - 13 UNC.
Nuts, Washer and Cotter Keys	25	K71-321-00	8K hub
Oil Cap, O-Ring and Plug	20	K71-038-00	6K & 8K screw-in, 9K before 10/89
Oil Cap, O-Ring and Plug	20	K71-148-00	10K GD, 9K after 10-1-89, 4-12 threads
Rubber Equalizer Bushing	27	K71-371-00	8K, 9K
Seal	21	K71-386-00	Unitized, 2.250 inside dia. x 3.376 outside dia.
Seal	21	K71-387-00	Unitized, 2.875 inside dia. x 3.880 outside dia.
Slipper Spring Kit Attaching Parts	29	K71-366-00	Axles with 36" axle spacing (8K)
Spindle Nuts and Washers	25	K71-367-00	10K GD, 9K after 10-1-89, 1½ - 12 UNF

Wheel Fastener Kits

Press-In Wheel Studs	22	K71-342-00	5/8 - 18 UNF; 8K
Wheel Nuts	24	K71-347-00	90° cone, 5/8 - 18 UNF

10,000#, 12,000#, 15,000# Heavy Duty Capacity

Brake Part Kits - 12¼ x 4" Brakes

Actuating Lever Kit - LH	3	K71-380-00	Electric brake, rear self adjust and manual. Used with magnet kit K71-375-00 or K71-376-00
Actuating Lever Kit - LH	3	K71-467-00	Forward self-adjust electric brake. Used with magnet kit K71-375-00 or K71-376-00
Actuating Lever Kit - RH	3	K71-381-00	Electric brake, rear self adjust and manual. Used with magnet kit K71-375-00 or K71-376-00
Actuating Lever Kit - RH	3	K71-468-00	Forward self-adjust electric brake. Used with magnet kit K71-375-00 or K71-376-00
Brake Adjuster Kit	17	K71-417-00	Hydraulic brake
Brake Adjuster Kit	17	K71-418-00	Electric brake
Brake Adjuster Kit	18	K71-472-00	Hydraulic brake, forward self-adjusting (After 2/97)
Brake Block Kit	11	K71-102-00	For one air brake (10K)
Brake Cylinder Rebuild Kit	4	K71-081-00	Brake with 1¼" dia. cylinder
Brake Shoe Hardware Kit	11	K71-098-00	For one air brake
Brake Shoe Hardware Kit	11	K71-136-00	For one air brake
Brake Shoe & Lining Kit - LH	9	K71-051-00	Electric brake (10K HD). Stamped backing plate prior to April 2000
Brake Shoe & Lining Kit - LH	9	K71-501-00	Electric brake (10K HD). Case backing plate in April 2000
Brake Shoe & Lining Kit - RH	9	K71-052-00	Electric brake (10K HD). Stamped backing plate prior to April 2000
Brake Shoe & Lining Kit - RH	9	K71-500-00	Electric brake (10K HD). Cast backing plate in April 2000
Brake Shoe & Lining Kit - LH	9	K71-167-00	Hydraulic brake (10K HD)
Brake Shoe & Lining Kit - RH	9	K71-168-00	Hydraulic brake (10K HD)
Brake Spring Kit	16	K71-421-00	Electric brake
Brake Spring Kit	16	K71-422-00	Electric brake
Brake Spring Kit	16	K71-440-00	Hydraulic brake - corrosion resistant
Brake Spring Kit	16	K71-506-00	Electric Brake with cast backing plate
Forward Self-Adjust Retrofit Kit	10	K71-458-00	For electric brakes



DEXTER AXLE

Kit Name Page No. Kit No. Description/Notes

10,000#, 12,000#, 15,000# Heavy Duty Capacity continued

Forward Self-Adjust Retrofit Kit	10	K71-465-00	For hydraulic brakes
Camshaft Repair Kit	14	K71-101-00	For one camshaft
Magnet Kit	13	K71-376-00	Electric brake after 6/92. Used with actuating lever kit K71-380-00 or K71-381-00 (10K)

Brake Part Kits - 12¼ x 5" Brakes

Actuating Lever Kit - LH	3	K71-382-00	Electric brake. Used with magnet kit K71-377-00 or K71-378-00
Actuating Lever Kit - LH	3	K71-469-00	Forward self-adjust electric brake. Used with magnet kit K71-377-00 or K71-378-00
Actuating Lever Kit - RH	3	K71-383-00	Electric brake. Used with magnet kit K71-377-00 or K71-378-00
Actuating Lever Kit - RH	3	K71-470-00	Forward self-adjust electric brake. Used with magnet kit K71-377-00 or K71-378-00
Brake Adjuster Kit	17	K71-417-00	Hydraulic brake
Brake Adjuster Kit	17	K71-418-00	Electric brake
Brake Adjuster Kit	18	K71-472-00	Hydraulic brake , forward self-adjusting (After 2/97)
Brake Block Kit	12	K71-152-00	For one air brake (12K, 15K)
Brake Cylinder Rebuild Kit	4	K71-081-00	Brake with 1¼" dia. cylinder
Brake Cylinder Rebuild Kit	4	K71-082-00	Brake with 1⅜" dia. cylinder
Brake Shoe Hardware Kit	11	K71-098-00	For one air brake
Brake Shoe Hardware Kit	11	K71-136-00	For one air brake
Brake Shoe & Lining Kit - LH	10	K71-053-00	Electric brake (12K-15K). Stamped backing plate prior to April 2000
Brake Shoe & Lining Kit - LH	10	K71-503-00	Electric brake (12K-15K). Cast backing plate in April 2000
Brake Shoe & Lining Kit - RH	10	K71-054-00	Electric brake (12K-15K). Stamped backing plate prior to April 2000
Brake Shoe & Lining Kit - RH	10	K71-502-00	Electric brake (12K-15K). Cast backing plate in April 2000
Brake Shoe & Lining Kit - LH	10	K71-169-00	Hydraulic brake (12K-15K)
Brake Shoe & Lining Kit - RH	10	K71-170-00	Hydraulic brake (12K-15K)
Brake Spring Kit	16	K71-421-00	Electric brake
Brake Spring Kit	16	K71-422-00	Electric brake
Brake Spring Kit	16	K71-440-00	Hydraulic brake - corrosion resistant
Brake Spring Kit	16	K71-506-00	Electric brake with cast backing plate
Forward Self-Adjust Retrofit Kit	10	K71-459-00	For electric brakes
Forward Self-Adjust Retrofit Kit	10	K71-465-00	For hydraulic brakes
Camshaft Repair Kit	14	K71-101-00	For one camshaft
Magnet Kit	13	K71-377-00	Electric brake after 6/92. Used with actuating lever kit K71-382-00 or K71-383-00 (12K)
Magnet Kit	13	K71-378-00	Electric brake after 6/92. Used with actuating lever kit K71-382-00 or K71-383-00 (15K)

Brake Part Kits - 10K & 12K Disc Brakes

Brake Caliper Repair Kit	5	K71-181-00	For one brake
Disc Brake Pad Kit	12	K71-180-00	For one axle
Rotor Mounting Studs and Nuts	22	K71-356-00	½ - 13 UNC hub thread, ½ - 20 UNF nut thread

Hub Part Kits - 10K, 12K, 15K HD

Drum Mounting Screws	23	K71-354-00	1.75 long, ½ - 13 UNC
Oil Cap, O-Ring and Plug	20	K71-148-00	4 - 12 threads. Replaces #021-031-00 oil cap
Rubber Equalizer Bushing	27	K71-372-00	10K-15K
Ruber Spring Eye Bushing	27	K71-370-00	10K-15K
Seal	21	K71-388-00	Unitized, 3.125 Inside dia. x 4.506 Outside dia.
Spindle Nuts and Washers	25	K71-341-00	1¼ - 12 UNF, For one end

Wheel Fastener Kits

Inner Wheel Nuts - LH	23	K71-351-00	¾ - 16 UNF
Inner Wheel Nuts - RH	23	K71-350-00	¾ - 16 UNF
Outer Wheel Nuts - LH	24	K71-352-00	1-1/8 - 16 UN
Outer Wheel Nuts - RH	24	K71-353-00	1-1/8 - 16 UN
Press-In Wheel Studs - RH	22	K71-343-00	¾ - 16 UNF
Press-In Wheel Studs - LH	23	K71-344-00	¾ - 16 UNF
Wheel Mounting Studs - LH	22	K71-346-00	¾ - 10 hub thread, ¾ - 16 nut thread
Wheel Mounting Studs - RH	22	K71-345-00	¾ - 10 hub thread, ¾ - 16 nut thread
Wheel Nuts	24	K71-347-00	90° cone, ⅝ - 18 UNF; 10K, 12K

Kit Name Page No Kit No. Description/Notes

10,000#, 12,000#, 15,000# Heavy Duty Capacity continued

Wheel Nuts - LH 24 K71-349-00 ¾ - 16 UNF; 15K only
 Wheel Nuts - RH 24 K71-348-00 ¾ - 16 UNF; 15K only

20,000#, 22,000#, 27,000# Capacity

Brake Part Kits - 12¼ x 4," 5" and 7 ½" Air Brakes

Brake Block Kit 12 K71-133-00 For one air brake
 Brake Shoe Hardware Kit - "P" Style 11 K71-098-00 For one air brake
 Brake Shoe Hardware Kit - "PQ" Style 11 K71-460-00 For one air brake
 Camshaft Repair Kit- "P" and "PQ" Style 14 K71-101-00 For one camshaft

Brake Part Kits - 16½ x 7" Air Brakes

Brake Block Kit 12 K71-138-00 For one air brake
 Brake Shoe Hardware Kit 11 K71-136-00 For one air brake
 Camshaft Repair Kit 14 K71-135-00 For one camshaft

Index by Kit and Page Number

K71-038-00 20	K71-270-00 6	K71-327-00 2	K71-376-00 13	K71-423-00 6
K71-045-00 5	K71-278-00 14	K71-328-00 2	K71-377-00 13	K71-424-00 4
K71-046-00 5	K71-288-00 26	K71-331-00 2	K71-378-00 13	K71-425-00 4
K71-047-00 6	K71-289-00 26	K71-332-00 2	K71-380-00 3	K71-426-00 15
K71-048-00 6	K71-290-00 26	K71-333-00 2	K71-381-00 3	K71-427-00 7
K71-049-00 8	K71-291-00 29	K71-334-00 2	K71-382-00 3	K71-428-00 7
K71-050-00 8	K71-292-00 14	K71-335-00 25	K71-383-00 3	K71-434-00 15
K71-051-00 9	K71-293-00 26	K71-337-00 4	K71-384-00 26	K71-437-00 9
K71-052-00 9	K71-294-00 26	K71-338-00 4	K71-385-00 26	K71-438-00 9
K71-053-00 10	K71-295-00 22	K71-339-00 4	K71-386-00 21	K71-439-00 18
K71-054-00 10	K71-296-00 23	K71-340-00 4	K71-387-00 21	K71-440-00 16
K71-057-00 12	K71-297-00 23	K71-341-00 25	K71-388-00 21	K71-441-00 13
K71-080-00 4	K71-298-00 21	K71-342-00 22	K71-389-00 21	K71-442-00 13
K71-081-00 4	K71-299-00 24	K71-343-00 22	K71-390-00 20	K71-444-00 9
K71-082-00 4	K71-300-00 24	K71-344-00 23	K71-391-00 25	K71-445-00 9
K71-098-00 11	K71-301-00 21	K71-345-00 22	K71-393-00 6	K71-448-00 27
K71-101-00 14	K71-302-00 21	K71-346-00 22	K71-394-00 6	K71-449-00 28
K71-102-00 11	K71-303-00 21	K71-347-00 24	K71-395-00 6	K71-453-00 28
K71-104-00 12	K71-304-00 21	K71-348-00 24	K71-396-00 17	K71-458-00 10
K71-105-00 12	K71-305-00 21	K71-349-00 24	K71-397-00 17	K71-459-00 10
K71-125-00 13	K71-306-00 20	K71-350-00 23	K71-398-00 17	K71-460-00 11
K71-127-00 7	K71-307-00 20	K71-351-00 23	K71-399-00 13	K71-461-00 5
K71-133-00 12	K71-308-00 20	K71-352-00 24	K71-401-00 28	K71-465-00 10
K71-135-00 14	K71-309-00 20	K71-353-00 24	K71-402-00 28	K71-466-00 5
K71-136-00 11	K71-310-00 20	K71-354-00 23	K71-403-00 28	K71-467-00 3
K71-138-00 12	K71-311-00 18	K71-355-00 23	K71-404-00 18	K71-468-00 3
K71-148-00 20	K71-312-00 18	K71-356-00 22	K71-405-00 18	K71-469-00 3
K71-152-00 12	K71-313-00 18	K71-358-00 27	K71-406-00 24	K71-470-00 3
K71-165-00 8	K71-314-00 19	K71-359-00 27	K71-407-00 22	K71-471-00 23
K71-166-00 8	K71-315-00 19	K71-360-00 27	K71-410-00 8	K71-472-00 18
K71-167-00 9	K71-316-00 19	K71-361-00 15	K71-411-00 17	K71-496-00 8
K71-168-00 9	K71-317-00 19	K71-362-00 15	K71-412-00 16	K71-497-00 8
K71-169-00 10	K71-318-00 19	K71-363-00 15	K71-413-00 2	K71-498-00 8
K71-170-00 10	K71-319-00 19	K71-364-00 18	K71-414-00 3	K71-499-00 8
K71-175-01 22	K71-320-00 19	K71-365-00 29	K71-415-00 20	K71-500-00 9
K71-177-00 12	K71-321-00 25	K71-366-00 29	K71-417-00 17	K71-501-00 9
K71-180-00 12	K71-322-00 25	K71-367-00 25	K71-418-00 17	K71-502-00 10
K71-181-00 5	K71-323-00 16	K71-370-00 27	K71-419-00 18	K71-503-00 10
K71-267-00 6	K71-324-00 16	K71-371-00 27	K71-420-00 18	K71-506-00 16
K71-268-00 6	K71-325-00 2	K71-372-00 27	K71-421-00 16	
K71-269-00 6	K71-326-00 2	K71-375-00 13	K71-422-00 16	

Dexter's first in running gear quality.

The high quality components of your Dexter running gear assemblies are designed to provide the service and performance that are the standards of the industry. Dexter wheels, rims, hubs, drums, brakes and stampings are manufactured in our own modern facilities under strict quality control standards. Whatever your component or axle needs, Dexter meets them.

We have axle capacities from 1,400 to 75,000 lbs. Single and dual wheel versions. Electric, hydraulic and air braking. Oil and grease lubrication. And Dexter axle assemblies are shipped ready for installation, complete with all attaching parts.

For single, tandem, or triple axle assemblies and components, let Dexter get you on the move.

Quickly. Conveniently. Economically.

